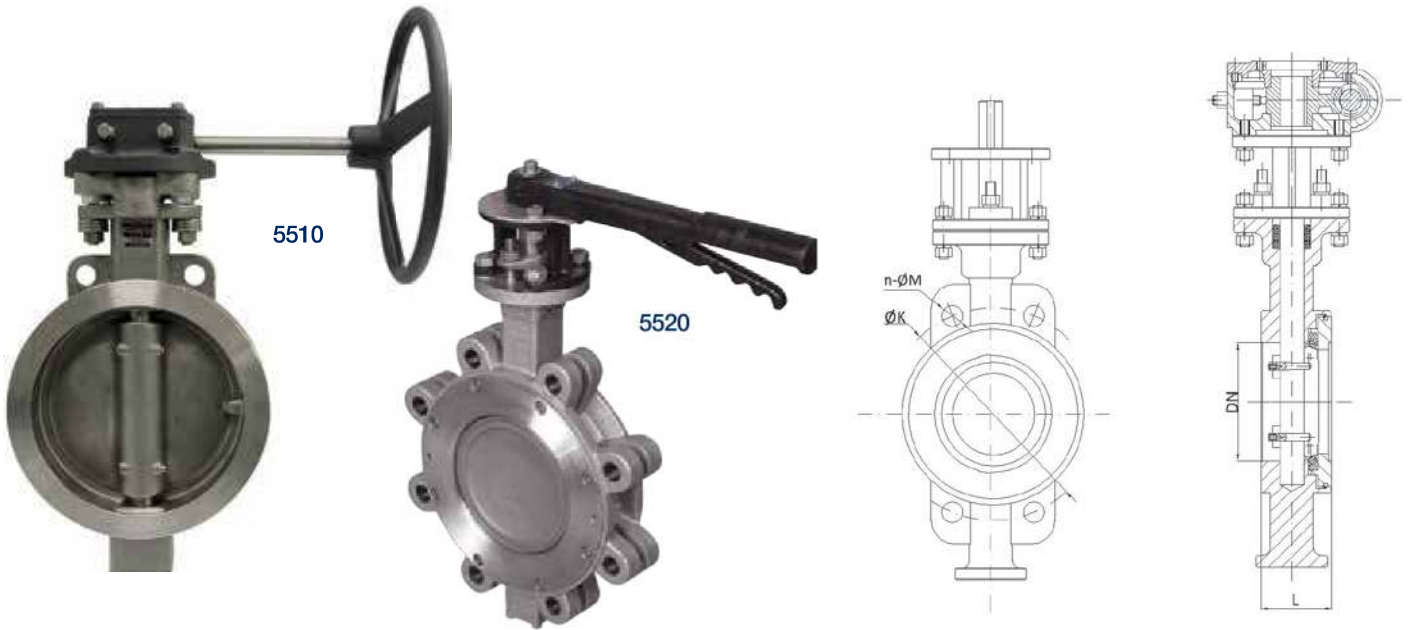


# yüksek performanslı wafer / lug tipi triple eksantrik kelebek vanalar (5510-5520)

high performance wafer / lug type triple eccentric butterfly valves (5510-5520)

- DN50-DN1200,
- Basınç Sınıfı : PN16/PN25 bar // Class 150/300,
- Gövde : ASTM A216 WCB / CF8M / AISI 316,
- Disk : ASTM A216 WCB / CF8M / AISI 316,
- Conta : PTFE,
- Kumanda Şekli : Kollu / Redüktörlü // Pnömatik / Elektrik / Hidrolik Aktüatörlü,
- API 609 standardına uygun.

- DN50-DN1200,
- Pressure Class : PN16/PN25 bar // Class 150/300,
- Body : ASTM A216 WCB / CF8M / AISI 316,
- Disc : ASTM A216 WCB / CF8M / AISI 316,
- Seat : PTFE,
- Operation : Lever / Gearbox // Pneumatic / Electric / Hydraulic Actuator,
- According to API 609 standard.



Inch	DN	PN25-CLASS300		PN16		PN25		CLASS 150		CLASS 300	
		ØK	ØK	ØK	n-M	ØK	n-M	ØK	n-M	ØK	n-M
2	50	43	43	125	4-M16	165	4-M16	120.7	4-5/8" _11	127.0	8-5/8" _11
2½	65	46	46	145	4-M16	185	8-M16	139.7	4-5/8" _11	149.2	8-3/4" _10
3	80	46	48	160	8-M16	200	8-M16	152.4	4-5/8" _11	168.3	8-3/4" _10
4	100	52	54	180	8-M16	235	8-M20	190.5	8-5/8" _11	200.0	8-3/4" _10
5	125	56	59	210	8-M16	270	8-M24	215.9	8-3/4" _10	235.0	8-3/4" _10
6	150	56	59	240	8-M20	300	8-M24	241.3	8-3/4" _10	269.9	12-3/4" _10
8	200	60	73	295	12-M20	360	12-M24	298.4	8-3/4" _10	330.2	12-7/8" _9
10	250	68	83	355	12-M24	425	12-M27	361.9	12-7/8" _9	387.4	16-1" _8
12	300	78	92	410	12-M24	485	16-M27	431.8	12-7/8" _9	450.8	16-1½" _8
14	350	78	117	470	16-M24	555	16-M30	476.2	12-1" _8	514.4	20-1½" _8
16	400	102	133	525	16-M27	620	16-M33	539.2	16-1" _8	571.5	20-1¼" _7
18	450	114	149	585	20-M27	670	20-M33	577.8	16-1½" _8	628.6	24-1¼" _7
20	500	127	159	650	20-M30	730	20-M33	635.0	20-1½" _8	685.8	24-1¼" _7
24	600	154	181	770	20-M33	845	20-M36	749.3	20-1¼" _7	812.8	24-1½" _6

\* DN700-DN1200 boyutları için lütfen tarafımızla iletişime geçiniz.

\* For DN700-DN1200 please contact us for technical details.