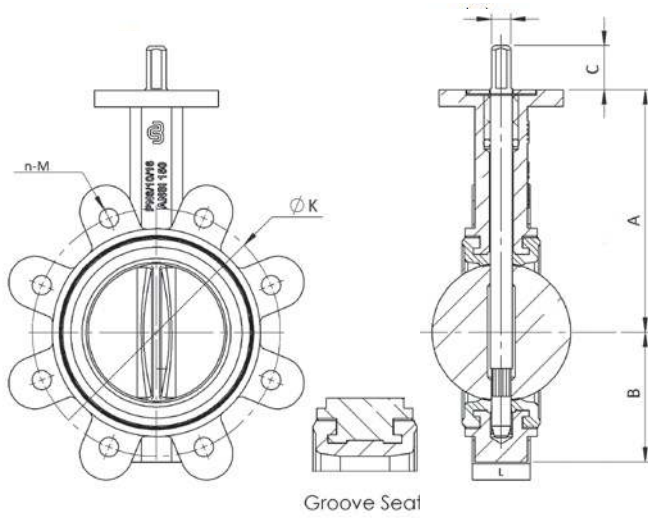


wafer / lug tipi kelebek vanalar (5100-5200)

wafer / lug type butterfly valves (5100-5200)

- Wafer DN32-DN1200 / Lug DN32-DN1200,
- Basınç Sınıfı : PN6/10/16/20 bar // Class150, ANSI 125/150,
- Gövde : Epoxy kaplama GGG40 / GGG40.3 / GSC25N / ASTM A216 WCB / CF8M / AISI 316L,
- Disk : Epoxy kaplama GGG40 / CF8M / AISI 316L / AluBronz,
- Conta : EPDM / H-EPDM / NBR / Viton / Silikon / Neopren / Hipalon,
- Kumanda : Kollu / Redüktörlü // Pnömatik / Elektrik / Hidrolik Aktüatörlü,
- TS EN 593 / API 609 standartlarına uygun,
- Wafer tip kelebek vanalar API 609 standartlarına göre hat sonu vanası olarak kullanılamaz.



- Wafer DN32-DN1200 / Lug DN32-DN1200,
- Pressure Class : PN6/10/16/20 bar // Class150, ANSI 125/150,
- Body : Epoxy coated GGG40 / GGG40.3 / GSC25N / ASTM A216 WCB / CF8M / AISI 316L,
- Disc : Epoxy coated GGG40 / CF8M / AISI 316L / AluBronze,
- Seat : EPDM / H-EPDM / NBR / Viton / Silicon / Neopren / Hypalon,
- Operation : Lever / Gearbox // Pneumatic / Electric / Hydraulic Actuator,
- According to TS EN 593 / API 609 standards,
- Wafer type butterfly valves are not used for dead-end service.

Inch	DN	A	B	C	L	PN6		PN10		PN16		ANSI125/150		ISO5211	4&8-Øf	HxH
						ØK	n-M	ØK	n-M	ØK	n-M	ØK	n-M			
1¼	32	121	60	31	30	90	4-M12	100	4-M16	100	4-M16	88.9	4-1/2" _13	F5	4xØ7	7x7
1½	40	130	60	31	33	100	4-M12	110	4-M16	110	4-M16	98.6	4-1/2" _13	F5	4xØ7	9x9
2	50	140	60	31	43	110	4-M12	125	4-M16	125	4-M16	120.7	4-5/8" _11	F7	4xØ10	11x11
2½	65	152	70	31	46	130	4-M12	145	4-M16	145	4-M16	139.7	4-5/8" _11	F7	4xØ10	11x11
3	80	159	80	31	46	150	4-M16	160	8-M16	160	8-M16	152.4	4-5/8" _11	F7	4xØ10	11x11
4	100	176	90	31	52	170	4-M16	180	8-M16	180	8-M16	190.5	8-5/8" _11	F7	4xØ10	14x14
5	125	191	112	31	56	200	8-M16	210	8-M16	210	8-M16	215.9	8-3/4" _10	F7	4xØ10	14x14
6	150	203	128	31	56	225	8-M16	240	8-M20	240	8-M20	241.3	8-3/4" _10	F7	4xØ10	14x14
8	200	243	155	39	60	280	8-M16	295	8-M20	295	12-M20	298.5	8-3/4" _10	F10/F12	8xØ12/Ø14	17x17
10	250	273	187	39	68	335	12-M16	350	12-M20	355	12-M24	362.0	12-7/8" _9	F10/F12	8xØ12/Ø14	22x22
12	300	311	220	39	78	395	12-M20	400	12-M20	410	12-M24	431.8	12-7/8" _9	F10/F12	8xØ12/Ø14	22x22
14	350	346	262	45	78			460	16-M20	470	16-M24	476.2	12-1" _8	F12/F14	8-Ø14/Ø19	22X22
16	400	375	293	51	102			515	16-M24	525	16-M27	539.2	16-1" _8	F12/F14	8-Ø14/Ø19	27X27
18	450	400	325	51	114			565	20-M24	585	20-M27	577.8	16-1½" _8	F12/F14	8-Ø14/Ø19	27X27
20	500	432	358	64	127			620	20-M24	650	20-M30	635.0	20-1½" _8	F14/F16	8-Ø19/Ø23	36X36
24	600	510	422	70	154			725	20-M27	770	20-M33	749.3	20-1¼" _7	F14/F16	8-Ø19/Ø23	36X36

* DN700-DN1200 boyutları için lütfen tarafımızla iletişime geçiniz.

* For DN700-DN1200 please contact us for technical details.