

## flanşlı / kaynaklı piston (lift) çek vanalar (4300-4350)

flanged / welded piston (lift) check valves (4300-4350)

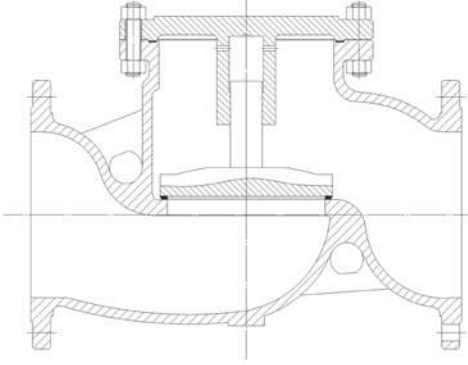
- Class 150 / 300 : DN15-DN300,
- Class 600 / 900 : DN50-DN200,
- Basınç Sınıfı : Class 150 / 300 / 600 / 900,
- Gövde : ASTM A216 WCB / CF8M / AISI 316,
- Klape : Trim 1-12,
- TS EN 12334 / ASME B16,34 / API 594 standartlarına uygun.



4300



4350



- Class 150 / 300 : DN15-DN300,
- Class 600 / 900 : DN50-DN200,
- Pressure Class : Class 150 / 300 / 600 / 900,
- Body : ASTM A216 WCB / CF8M / AISI 316,
- Disc : Trim 1-12,
- According to TS EN 12334 / ASME B16,34 / API 594 standards.

## dövme dişli / soket kaynaklı piston (lift) çek vanalar (4400-4450)

forged steel threaded / socket weld piston (lift) check valves (4400-4450)

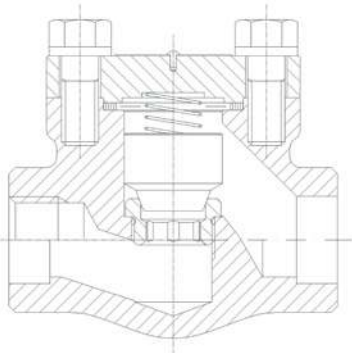
- DN15-DN50,
- Basınç Sınıfı : Class 150 / 300 / 600 / 900 / 1500,
- Gövde : ASTM A-105,
- Klape : Trim 1-12,
- TS EN 12334 / ASME B16,34 / API 594 standartlarına uygun.



4400



4450



- DN15-DN50,
- Pressure Class : Class 150 / 300 / 600 / 900 / 1500,
- Body : ASTM A-105,
- Disc & Internal Parts : Trim 1-12,
- According to TS EN 12334 / ASME B16,34 / API 594 standards.