



 **burçelik**
vana

içindekiler
contents



kasetli wafer / lug tipi kelebek vanalar	02	hard back seat wafer / lug type butterfly valves
wafer / lug tipi kelebek vanalar	03	wafer / lug type butterfly valves
nikel kaplı wafer / lug tipi kelebek vanalar	04	nickel coated disc wafer / lug type butterfly valves
vulkanize lastikli lug tipi kelebek vanalar	05	vulcanized seat lug type butterfly valves
çift flanşlı konsantrik kelebek vanalar	06	double flanged concentric butterfly valves
çift flanşlı çift eksantrik kelebek vanalar	07	double flanged double eccentric butterfly valves
çift flanşlı triple eksantrik kelebek vanalar	08	double flanged triple eccentric butterfly valves
yüksek performanslı wafer / lug tipi triple eksantrik kelebek vanalar	09	high performance wafer / lug type triple eccentric butterfly valves
PTFE contalı iki parçalı wafer tip kelebek vanalar	10	two piece PTFE (teflon) butterfly valves
airlock kelebek vanalar	11	airlock butterfly valves
hijyenik kelebek vanalar	12	sanitary butterfly valves
flanşlı iki parçalı standart küresel vanalar	13	flanged two piece standard ball valves
flanşlı üç parçalı standart küresel vanalar	14	flanged three piece standard ball valves
TSE 9809 F1 tip doğalgaz küresel vanalar	15	TSE 9809 F1 type gas ball valves
flanşlı endüstriyel / petrol ve doğalgaz küresel vanalar	16	flanged industrial / oil and gas ball valves
flanşlı double block ve bleed küresel vanalar	17	flanged double block and bleed ball valves
kaynaklı yeraltı / yer üstü petrol ve doğalgaz küresel vanalar	17	welded oil and gas ball valves
flanşlı / kaynak ağızlı top-entry küresel vanalar	18	flanged/butt welded top-entry ball valves
class 800 dişli / soket kaynaklı küresel vanalar	19	class 800 threaded / socket weld ball valves
PN 63 iki / üç parçalı dişli küresel vanalar	19	PN 63 two / three piece threaded ball valves
monoblok wafer küresel vanalar	20	monoblock wafer ball valves
jeotermal küresel vanalar	21	geothermal ball valves
döküm gate vanalar	22	cast steel gate valves
dövme gate vanalar	22	forged steel gate valves
plate gate vanalar	23	plate gate valves
bıçaklı gate vanalar	23	knife gate valves
elastomer kaplı gate vanalar	23	rubber sealing gate valves
döküm glob vanalar	24	cast steel globe valves
dövme glob vanalar	24	forged steel globe valves
yağlamalı / yağlamasız flanşlı plug vanalar	25	lubricated /non-lubricated flanged plug valves
PFA kaplı flanşlı plug vanalar	25	PFA lined flanged plug valves
flanşlı diyafram vanalar	26	flanged diaphragm valves
T tipi pislik tutucular	26	T type strainers
Y tipi pislik tutucular	27	Y type strainers
hijyenik pislik tutucular	27	sanitary strainers
flanşlı / kaynaklı swing çek vanalar	28	flanged / welded swing check valves
dövme dişli / soket kaynaklı swing çek vanalar	28	forged steel threaded / socket weld swing check valves
flanşlı / kaynaklı piston (lift) çek vanalar	29	flanged / welded piston (lift) check valves
dövme dişli / soket kaynaklı piston (lift) çek vanalar	29	forged steel threaded / socket weld piston (lift) check valves
çalpara (wafer) çek vanalar	30	wafer swing check valves
çift klapeli (diskli) wafer / lug tipi çek vanalar	30	dual plate (disc) wafer / lug type check valves
yaylı (disko) tip wafer çek vanalar	31	spring wafer check valves
hijyenik çek vanalar	31	sanitary check valves
aksesuarlar	32	accessories
redüktörler	32	gear-boxes
pnömatik aktüatör	32	pneumatic actuator
selenoid valf	32	solenoid valve
limit switch kutusu	32	limit switch box
pozisyoner	32	positioner
elektrik aktüatör	33	electric actuator

kasetli wafer / lug tipi kelebek vanalar (5000-5010)

hard back seat wafer / lug type butterfly valves (5000-5010)



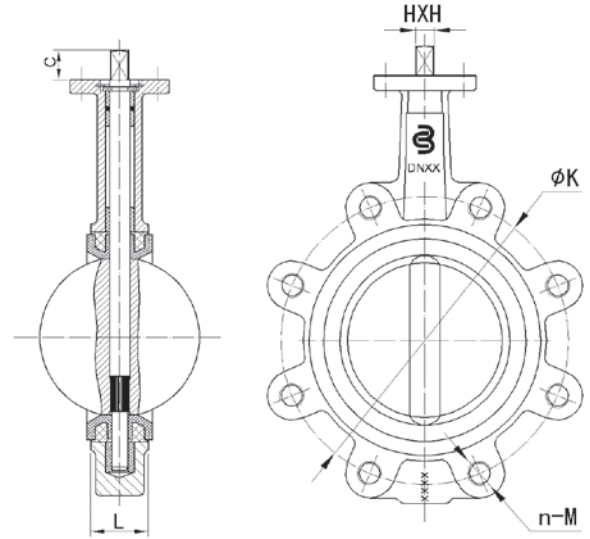
5000

- Wafer DN50-DN600 / Lug DN50-DN600,
- Basınç Sınıfı : PN10/16 bar // ANSI 125/150,
- Gövde : Epoxy kaplama GGG40 / GGG40.3,
- Disk : Epoxy kaplama GGG40 / CF8M / AISI 316 / AluBronz,
- Conta : EPDM / NBR / Viton,
- Kumanda : Kollu / Redüktörlü // Pnömatik / Elektrik / Hidrolik Aktüatörlü,
- TS EN 593 / API 609 standartlarına uygun.

- Wafer DN50-DN600 / Lug DN50-DN600,
- Pressure Class : PN10/16 bar // ANSI 125/150,
- Body : Epoxy coated GGG40 / GGG40.3,
- Disc : Epoxy coated GGG40 / CF8M / AISI 316 / AluBronze,
- Seat : EPDM / NBR / Viton,
- Operation : Lever / Gearbox // Pneumatic / Electric / Hydraulic Actuator,
- According to TS EN 593 / API 609 standards.



5010



Inch	DN	C	L	PN10		PN16		ANSI125/150		ISO5211	HxH
				ØK	n-M	ØK	n-M	ØK	n-M		
2	50	31	43	125	4-M16	125	4-M16	120.7	4-5/8" _11	F7	11x11
2.5	65	31	46	145	4-M16	145	4-M16	139.7	4-5/8" _11	F7	11x11
3	80	31	46	160	8-M16	160	8-M16	152.4	4-5/8" _11	F7	11x11
4	100	31	52	180	8-M16	180	8-M16	190.5	8-5/8" _11	F7	14x14
5	125	31	56	210	8-M16	210	8-M16	215.9	8-3/4" _10	F7	14x14
6	150	31	56	240	8-M20	240	8-M20	241.3	8-3/4" _10	F7	14x14
8	200	39	60	295	8-M20	295	12-M20	298.5	8-3/4" _10	F10-F12	17x17
10	250	39	68	350	12-M20	355	12-M24	362.0	12-7/8" _9	F10-F12	22x22
12	300	39	78	400	12-M20	410	12-M24	431.8	12-7/8" _9	F10-F12	22x22

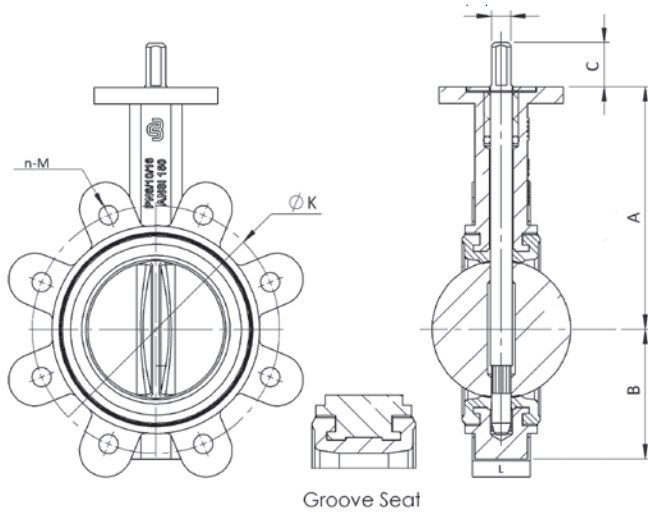
* DN350-DN600 boyutları için lütfen tarafımızla iletişime geçiniz.

* For DN350-DN600 please contact us for technical details.

wafer / lug tipi kelebek vanalar (5100-5200)

wafer / lug type butterfly valves (5100-5200)

- Wafer DN32-DN1200 / Lug DN32-DN1200,
- Basınç Sınıfı : PN6/10/16/20 bar // Class150, ANSI 125/150,
- Gövde : Epoxy kaplama GGG40 / GGG40.3 / GSC25N / ASTM A216 WCB / CF8M / AISI 316L,
- Disk : Epoxy kaplama GGG40 / CF8M / AISI 316L / AluBronz,
- Conta : EPDM / H-EPDM / NBR / Viton / Silikon / Neopren / Hipalon,
- Kumanda : Kollu / Redüktörlü // Pnömatik / Elektrik / Hidrolik Aktüatörlü,
- TS EN 593 / API 609 standartlarına uygun,
- Wafer tip kelebek vanalar API 609 standartlarına göre hat sonu vanası olarak kullanılamaz.



- Wafer DN32-DN1200 / Lug DN32-DN1200,
- Pressure Class : PN6/10/16/20 bar // Class150, ANSI 125/150,
- Body : Epoxy coated GGG40 / GGG40.3 / GSC25N / ASTM A216 WCB / CF8M / AISI 316L,
- Disc : Epoxy coated GGG40 / CF8M / AISI 316L / AluBronze,
- Seat : EPDM / H-EPDM / NBR / Viton / Silicon / Neopren / Hypalon,
- Operation : Lever / Gearbox // Pneumatic / Electric / Hydraulic Actuator,
- According to TS EN 593 / API 609 standards,
- Wafer type butterfly valves are not used for dead-end service.

Inch	DN	A	B	C	L	PN6		PN10		PN16		ANSI125/150		ISO5211	4&8-Øf	HxH
						ØK	n-M	ØK	n-M	ØK	n-M	ØK	n-M			
1¼	32	121	60	31	30	90	4-M12	100	4-M16	100	4-M16	88.9	4-1/2" _13	F5	4xØ7	7x7
1½	40	130	60	31	33	100	4-M12	110	4-M16	110	4-M16	98.6	4-1/2" _13	F5	4xØ7	9x9
2	50	140	60	31	43	110	4-M12	125	4-M16	125	4-M16	120.7	4-5/8" _11	F7	4xØ10	11x11
2½	65	152	70	31	46	130	4-M12	145	4-M16	145	4-M16	139.7	4-5/8" _11	F7	4xØ10	11x11
3	80	159	80	31	46	150	4-M16	160	8-M16	160	8-M16	152.4	4-5/8" _11	F7	4xØ10	11x11
4	100	176	90	31	52	170	4-M16	180	8-M16	180	8-M16	190.5	8-5/8" _11	F7	4xØ10	14x14
5	125	191	112	31	56	200	8-M16	210	8-M16	210	8-M16	215.9	8-3/4" _10	F7	4xØ10	14x14
6	150	203	128	31	56	225	8-M16	240	8-M20	240	8-M20	241.3	8-3/4" _10	F7	4xØ10	14x14
8	200	243	155	39	60	280	8-M16	295	8-M20	295	12-M20	298.5	8-3/4" _10	F10/F12	8xØ12/Ø14	17x17
10	250	273	187	39	68	335	12-M16	350	12-M20	355	12-M24	362.0	12-7/8" _9	F10/F12	8xØ12/Ø14	22x22
12	300	311	220	39	78	395	12-M20	400	12-M20	410	12-M24	431.8	12-7/8" _9	F10/F12	8xØ12/Ø14	22x22
14	350	346	262	45	78			460	16-M20	470	16-M24	476.2	12-1" _8	F12/F14	8-Ø14/Ø19	22X22
16	400	375	293	51	102			515	16-M24	525	16-M27	539.2	16-1" _8	F12/F14	8-Ø14/Ø19	27X27
18	450	400	325	51	114			565	20-M24	585	20-M27	577.8	16-1½" _8	F12/F14	8-Ø14/Ø19	27X27
20	500	432	358	64	127			620	20-M24	650	20-M30	635.0	20-1½" _8	F14/F16	8-Ø19/Ø23	36X36
24	600	510	422	70	154			725	20-M27	770	20-M33	749.3	20-1¼" _7	F14/F16	8-Ø19/Ø23	36X36

* DN700-DN1200 boyutları için lütfen tarafımızla iletişime geçiniz.

* For DN700-DN1200 please contact us for technical details.

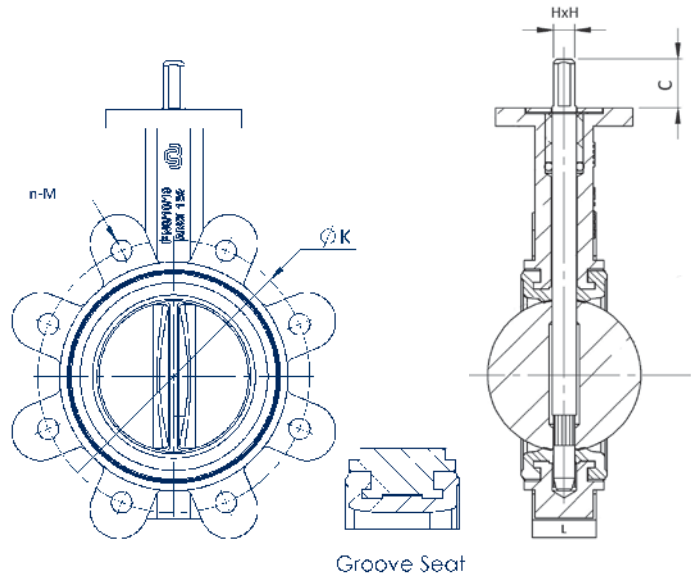
diski nikel kaplı wafer / lug tipi kelebek vanalar (5110-5210)

nickel coated disc wafer / lug type butterfly valves (5110-5210)

- Wafer DN50-DN1200 / Lug DN50-DN1200,
- Basınç Sınıfı : PN6/10/16 bar // ANSI 125/150,
- Gövde : Epoxy kaplama GGG40 / GGG40.3,
- Disk : GGG40 + Nikel Kaplı,
- Conta : EPDM / NBR / Viton,
- Kumanda Şekli : Kollu / Redüktörlü // Pnömatik / Elektrik / Hidrolik Aktüatörlü,
- TS EN 593 standardına uygun.



- Wafer DN50-DN1200 / Lug DN50-DN1200,
- Pressure Class : PN6/10/16 bar // ANSI 125/150,
- Body : Epoxy coated GGG40 / GGG40.3,
- Disc : GGG40 + Nickel Coated,
- Seat : EPDM / NBR / Viton,
- Operation : Lever / Gearbox // Pneumatic / Electric / Hydraulic Actuator,
- According to TS EN 593 standard.



Inch	DN	C	L	PN6		PN10		PN16		ANSI125/150		ISO5211	4&8-Øf	HxH
				ØK	n-M	ØK	n-M	ØK	n-M	ØK	n-M			
2	50	31	43	110	4-M12	125	4-M16	125	4-M16	120.7	4-5/8" _11	F7	4xØ10	11x11
2½	65	31	46	130	4-M12	145	4-M16	145	4-M16	139.7	4-5/8" _11	F7	4xØ10	11x11
3	80	31	46	150	4-M16	160	8-M16	160	8-M16	152.4	4-5/8" _11	F7	4xØ10	11x11
4	100	31	52	170	4-M16	180	8-M16	180	8-M16	190.5	8-5/8" _11	F7	4xØ10	14x14
5	125	31	56	200	8-M16	210	8-M16	210	8-M16	215.9	8-3/4" _10	F7	4xØ10	14x14
6	150	31	56	225	8-M16	240	8-M20	240	8-M20	241.3	8-3/4" _10	F7	4xØ10	14x14
8	200	39	60	280	8-M16	295	8-M20	295	12-M20	298.5	8-3/4" _10	F10/F12	8xØ12/Ø14	17x17
10	250	39	68	335	12-M16	350	12-M20	355	12-M24	362.0	12-7/8" _9	F10/F12	8xØ12/Ø14	22x22
12	300	39	78	395	12-M20	400	12-M20	410	12-M24	431.8	12-7/8" _9	F10/F12	8xØ12/Ø14	22x22

* DN350-DN1200 boyutları için lütfen tarafımızla iletişime geçiniz.

* For DN350-DN1200 please contact us for technical details.

vulkanize lastikli lug tipi kelebek vanalar (5310)

vulcanized seat lug type butterfly valves (5310)

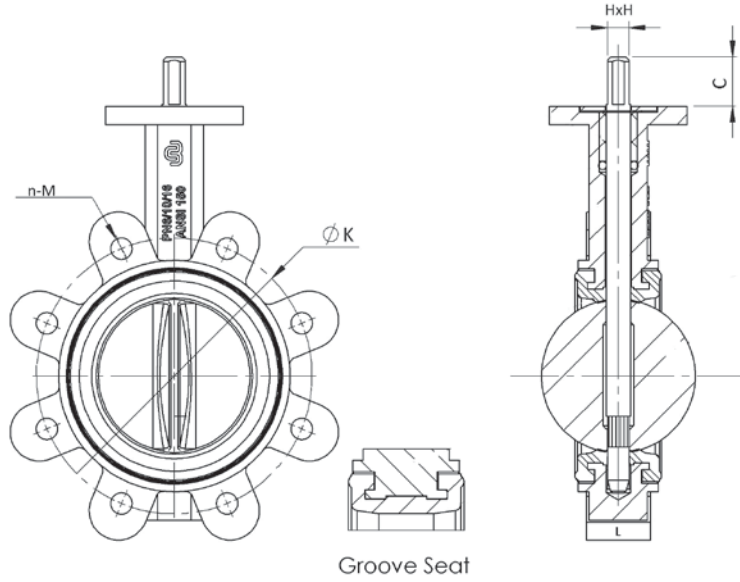
Vulkanize lastikli kelebek vanalarımız DN50-DN1200 boyutlarında ve PN6, PN10, PN16 ve ANSI 150 basınç sınıflarında üretilmektedir. Vulkanizasyon yöntemiyle, lastik ve vana gövdesi birbirinden ayrılmaz bir bütün olarak üretilir. Bu sebeple vulkanize lastikli vanalar özellikle vakum hatlarında yüksek performans gösterirler. Bunun dışında vulkanize lastikli vanalar, standart kauçuk contalı kelebek vanaların kullanıldığı hatlarda ve doğalgaz hatlarında da kullanıma uygundur. Vulkanize lastikli kelebek vanalarımız epoxy boya ile boyanmaktadır. Kullanım durumuna göre renk alternatifleri mevcuttur.

- Lug DN50-DN1200,
- Basınç Sınıfı : PN10/16 bar // Class 150, ANSI 125/150,
- Gövde : Epoxy kaplama GGG40 / GGG40.3 / ASTM A216 WCB / CF8M / AISI 316,
- Disk : Epoxy kaplama GGG40 / GGG40.3 / CF8M / AISI 316 / AluBronz,
- Conta : EPDM / NBR,
- Kumanda Şekli: Kollu / Redüktörlü // Pnömatik / Elektrik / Hidrolik Aktüatörlü,
- TS EN 593 / API 609 standartlarına uygun.



5310

Burcelik butterfly valves with vulcanized seat are manufactured in DN50-DN1200 with PN6, PN10, PN16 and ANSI 150 pressure class. In vulcanization process, cured seat sticks to the valve body and functions as a single piece. Vulcanized seated valves there exhibit high performance particularly in vacuum and gas lines. Burcelik vulcanized seated butterfly valves are painted with epoxy paint. There are color alternatives depending on the customer requirements.



- Lug DN50-DN1200,
- Pressure Class : PN10/16 bar // Class 150, ANSI 125/150,
- Body : Epoxy coated GGG40 / GGG40.3 / ASTM A216 WCB / CF8M / AISI 316,
- Disc : Epoxy coated GGG40 / GGG40.3 / CF8M / AISI 316 / AluBronze,
- Seat : EPDM / NBR,
- Operation: Lever / Gearbox // Pneumatic / Electric / Hydraulic Actuator,
- According to TS EN 593 / API 609 standards.

Inch	DN	C	L	PN10		PN16		ANSI125/150		ISO5211	4&8-Øf	HxH
				ØK	n-M	ØK	n-M	ØK	n-M			
2	50	31	43	125	4-M16	125	4-M16	120.7	4-5/8" _11	F7	4xØ10	11x11
2½	65	31	46	145	4-M16	145	4-M16	139.7	4-5/8" _11	F7	4xØ10	11x11
3	80	31	46	160	8-M16	160	8-M16	152.4	4-5/8" _11	F7	4xØ10	11x11
4	100	31	52	180	8-M16	180	8-M16	190.5	8-5/8" _11	F7	4xØ10	14x14
5	125	31	56	210	8-M16	210	8-M16	215.9	8-3/4" _10	F7	4xØ10	14x14
6	150	31	56	240	8-M20	240	8-M20	241.3	8-3/4" _10	F7	4xØ10	14x14
8	200	39	60	295	8-M20	295	12-M20	298.5	8-3/4" _10	F10/F12	8xØ12/Ø14	17x17
10	250	39	68	350	12-M20	355	12-M24	362.0	12-7/8" _9	F10/F12	8xØ12/Ø14	22x22
12	300	39	78	400	12-M20	410	12-M24	431.8	12-7/8" _9	F10/F12	8xØ12/Ø14	22x22
14	350	45	78	460	16-M20	470	16-M24	476.2	12-1" _8	F12/F14	8-Ø14/Ø19	22X22
16	400	51	102	515	16-M24	525	16-M27	539.2	16-1" _8	F12/F14	8-Ø14/Ø19	27X27
18	450	51	114	565	20-M24	585	20-M27	577.8	16-1½" _8	F12/F14	8-Ø14/Ø19	27X27
20	500	64	127	620	20-M24	650	20-M30	635.0	20-1½" _8	F14/F16	8-Ø19/Ø23	36X36
24	600	70	154	725	20-M27	770	20-M33	749.3	20-1¼" _7	F14/F16	8-Ø19/Ø23	36X36

* DN700-DN1200 boyutları için lütfen tarafımızla iletişime geçiniz.

* For DN700-DN1200 please contact us for technical details.

çift flanşlı konsantrik kelebek vanalar (5400)

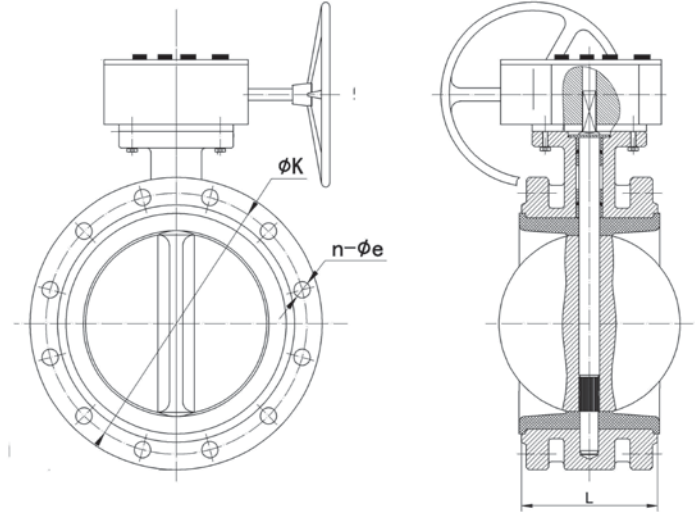
double flanged concentric butterfly valves (5400)



5400

- DN50-DN2000,
- Basınç Sınıfı : PN10/16 bar, ANSI 125/150
- Gövde : Epoxy kaplama GGG50,
- Disk : Epoxy kaplama GGG50 / CF8M / AISI 316,
- Conta : EPDM / NBR / Viton,
- Kumanda Şekli: Kollu / Redüktörlü // Pnömatik / Elektrik / Hidrolik Aktüatörlü,
- TS EN 593 standardına uygun.

- DN50-DN2000,
- Pressure Class : PN10/16 bar, ANSI 125/150
- Body : Epoxy coated GGG50,
- Disc : Epoxy coated GGG50 / CF8M / AISI 316,
- Seat : EPDM / NBR / Viton,
- Operation: Lever / Gearbox // Pneumatic / Electric / Hydraulic Actuator,
- According to TS EN 593 standard.



Inch	DN	L	PN10		PN16		ANSI125/150		ISO5211
			ØK	n-Øe	ØK	n-Øe	ØK	n-Øe	
2	50	108	125	4-Ø18	125	4-Ø18	120.7	4-Ø19	F7
2½	65	112	145	8-Ø18	145	8-Ø18	139.7	4-Ø19	F7
3	80	114	160	8-Ø18	160	8-Ø18	152.4	4-Ø19	F7
4	100	127	180	8-Ø18	180	8-Ø18	190.5	8-Ø19	F7
5	125	140	210	8-Ø18	210	8-Ø18	215.9	8-Ø22	F7
6	150	140	240	8-Ø22	240	8-Ø22	241.3	8-Ø22	F7
8	200	152	295	8-Ø22	295	12-Ø22	298.5	8-Ø22	F10/F12
10	250	165	350	12-Ø22	355	12-Ø26	362.0	12-Ø25	F10/F12
12	300	178	400	12-Ø22	410	12-Ø26	431.8	12-Ø25	F10/F12
14	350	190	460	16-Ø22	470	16-Ø26	476.2	12-Ø29	F12/F14
16	400	216	515	16-Ø26	525	16-Ø30	539.2	16-Ø29	F12/F14
18	450	222	565	20-Ø26	585	20-Ø30	577.8	16-Ø32	F12/F14
20	500	229	620	20-Ø26	650	20-Ø33	635.0	20-Ø32	F14/F16
24	600	267	725	20-Ø30	770	20-Ø36	749.3	20-Ø35	F14/F16

* DN700-DN2000 boyutları için lütfen tarafımızla iletişime geçiniz.

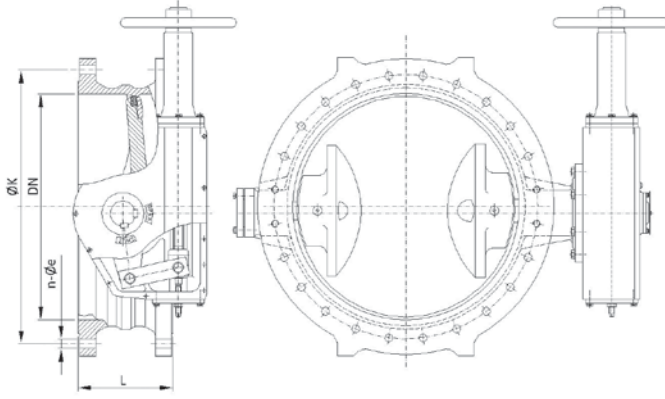
* For DN700-DN2000 please contact us for technical details.

çift flanşlı çift eksantrik kelebek vanalar (5410)

double flanged double eccentric butterfly valves (5410)

- DN100-DN2000,
- Basınç Sınıfı : PN6/10/16 bar, ANSI 150
- Gövde : Epoxy kaplama GGG50,
- Disk : GGG50 / CF8M / AISI 316,
- Conta : EPDM / NBR / Viton,
- Kumanda Şekli : Kollu / Redüktörlü // Pnömatik / Elektrik / Hidrolik Aktüatörlü,
- TS EN 593 / API 609 / AWWA C504 standartlarına uygun.

- DN100-DN2000,
- Pressure Class : PN6/10/16 bar, ANSI 150
- Body : Epoxy coated GGG50,
- Disc : GGG50 / CF8M / AISI 316,
- Seat : EPDM / NBR / Viton,
- Operation : Lever / Gearbox // Pneumatic / Electric / Hydraulic Actuator,
- According to TS EN 593 / API 609 / AWWA C504 standards.



Inch	DN	L	PN6		PN10		PN16		ANSI-CLASS 150-A	
			ØK	n-Øe	ØK	n-Øe	ØK	n-Øe	ØK	n-Øe
4	100	127	170	4-Ø18	180	8-Ø18	180	8-Ø18	190.5	8-Ø19
5	125	140	200	8-Ø18	210	8-Ø18	210	8-Ø18	215.9	8-Ø22
6	150	140	225	8-Ø18	240	8-Ø22	240	8-Ø22	241.3	8-Ø22
8	200	152	280	8-Ø18	295	8-Ø22	295	12-Ø22	298.4	8-Ø22
10	250	165	335	12-Ø18	350	12-Ø22	355	12-Ø26	361.9	12-Ø25
12	300	178	395	12-Ø22	400	12-Ø22	410	12-Ø26	431.8	12-Ø25
14	350	190	445	12-Ø22	460	16-Ø22	470	16-Ø26	476.2	12-Ø29
16	400	216	495	16-Ø22	515	16-Ø26	525	16-Ø30	539.2	16-Ø29
18	450	222	550	16-Ø22	565	20-Ø26	585	20-Ø30	577.8	16-Ø32
20	500	229	600	20-Ø22	620	20-Ø26	650	20-Ø33	635.0	20-Ø32
24	600	267	705	20-Ø26	725	20-Ø30	770	20-Ø36	749.3	20-Ø35
28	700	292	810	24-Ø26	840	24-Ø30	840	24-Ø36	863.6	28-Ø35
32	800	318	920	24-Ø30	950	24-Ø33	950	24-Ø39	977.9	28-Ø41,5
36	900	330	1020	24-Ø30	1050	28-Ø33	1050	28-Ø39	1085.5	32-Ø41,5
40	1000	410	1120	28-Ø30	1160	28-Ø36	1170	28-Ø42	1200.2	36-Ø41,5
48	1200	470	1340	32-Ø33	1380	32-Ø39	1390	32-Ø48	1424.4	44-Ø41,5

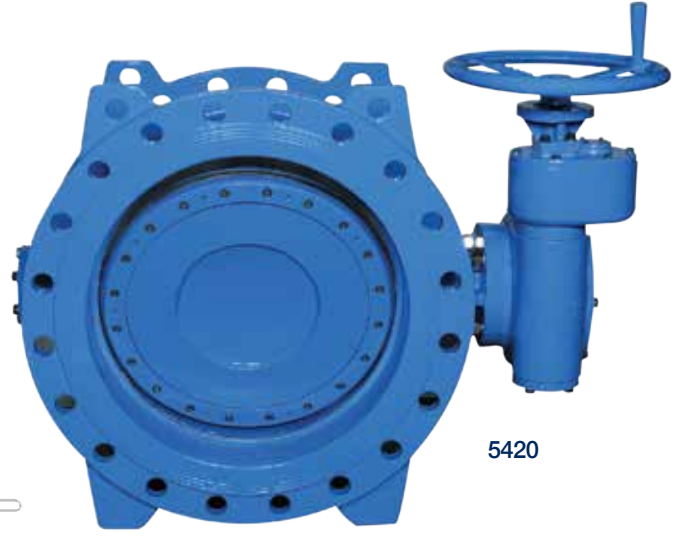
* DN1300-DN2000 boyutları için lütfen tarafımızla iletişime geçiniz.

* For DN1300-DN2000 please contact us for technical details.

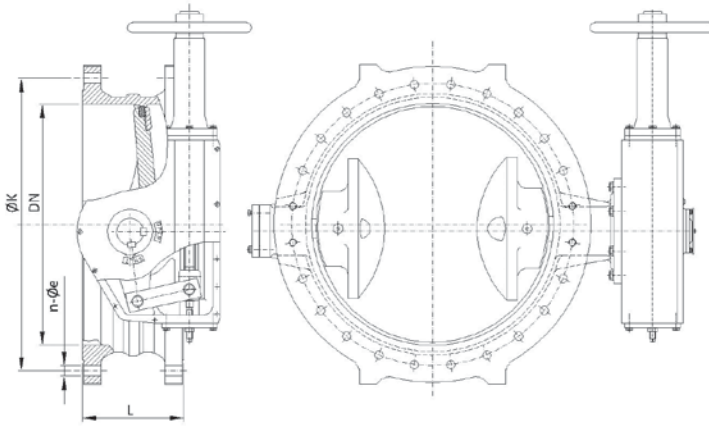
çift flanşlı triple eksantrik kelebek vanalar (5420)

double flanged triple eccentric butterfly valves (5420)

- DN50-DN2000,
- Basınç Sınıfı : PN6/10/16 bar, ANSI 150
- Gövde : Epoxy kaplama GGG50,
- Disk : GGG50 / AISI 316,
- Conta : EPDM / NBR / Viton,
- Kumanda Şekli : Kollu / Redüktörlü // Pnömatik / Elektrik / Hidrolik Aktüatörlü,
- TS EN 593 / API 609 standartlarına uygun.



5420



- DN50-DN2000,
- Pressure Class : PN6/10/16 bar, ANSI 150
- Body : Epoxy coated GGG50,
- Disc : GGG50 / AISI 316,
- Seat : EPDM / NBR / Viton,
- Operation : Lever / Gearbox // Pneumatic / Electric / Hydraulic Actuator,
- According to TS EN 593 / API 609 standards.

Inch	DN	L	PN6		PN10		PN16		ANSI-CLASS 150-A	
			ØK	n-Øe	ØK	n-Øe	ØK	n-Øe	ØK	n-Øe
2	50	108	110	4-Ø14	125	4-Ø18	125	4-Ø18	120.7	4-Ø19
2½	65	112	130	4-Ø14	145	8-Ø18	145	8-Ø18	139.7	4-Ø19
3	80	114	150	4-Ø18	160	8-Ø18	160	8-Ø18	152.4	4-Ø19
4	100	127	170	4-Ø18	180	8-Ø18	180	8-Ø18	190.5	8-Ø19
5	125	140	200	8-Ø18	210	8-Ø18	210	8-Ø18	215.9	8-Ø22
6	150	140	225	8-Ø18	240	8-Ø22	240	8-Ø22	241.3	8-Ø22
8	200	152	280	8-Ø18	295	8-Ø22	295	12-Ø22	298.4	8-Ø22
10	250	165	335	12-Ø18	350	12-Ø22	355	12-Ø26	361.9	12-Ø25
12	300	178	395	12-Ø22	400	12-Ø22	410	12-Ø26	431.8	12-Ø25
14	350	190	445	12-Ø22	460	16-Ø22	470	16-Ø26	476.2	12-Ø29
16	400	216	495	16-Ø22	515	16-Ø26	525	16-Ø30	539.2	16-Ø29
18	450	222	550	16-Ø22	565	20-Ø26	585	20-Ø30	577.8	16-Ø32
20	500	229	600	20-Ø22	620	20-Ø26	650	20-Ø33	635.0	20-Ø32
24	600	267	705	20-Ø26	725	20-Ø30	770	20-Ø36	749.3	20-Ø35
28	700	292	810	24-Ø26	840	24-Ø30	840	24-Ø36	863.6	28-Ø35
32	800	318	920	24-Ø30	950	24-Ø33	950	24-Ø39	977.9	28-Ø41,5
36	900	330	1020	24-Ø30	1050	28-Ø33	1050	28-Ø39	1085.5	32-Ø41,5
40	1000	410	1120	28-Ø30	1160	28-Ø36	1170	28-Ø42	1200.2	36-Ø41,5
48	1200	470	1340	32-Ø33	1380	32-Ø39	1390	32-Ø48	1424.4	44-Ø41,5

* DN1300-DN2000 boyutları için lütfen tarafımızla iletişime geçiniz.

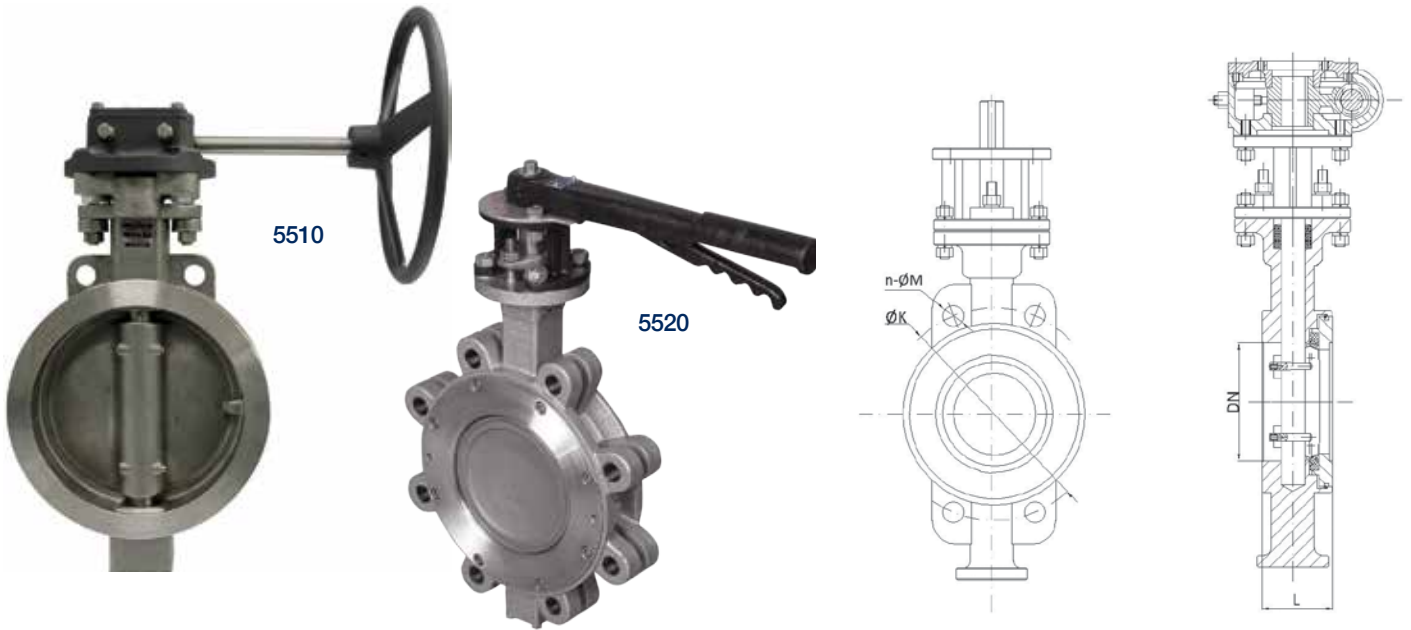
* For DN1300-DN2000 please contact us for technical details.

yüksek performanslı wafer / lug tipi triple eksantrik kelebek vanalar (5510-5520)

high performance wafer / lug type triple eccentric butterfly valves (5510-5520)

- DN50-DN1200,
- Basınç Sınıfı : PN16/PN25 bar // Class 150/300,
- Gövde : ASTM A216 WCB / CF8M / AISI 316,
- Disk : ASTM A216 WCB / CF8M / AISI 316,
- Conta : PTFE,
- Kumanda Şekli : Kollu / Redüktörlü // Pnömatik / Elektrik / Hidrolik Aktüatörlü,
- API 609 standardına uygun.

- DN50-DN1200,
- Pressure Class : PN16/PN25 bar // Class 150/300,
- Body : ASTM A216 WCB / CF8M / AISI 316,
- Disc : ASTM A216 WCB / CF8M / AISI 316,
- Seat : PTFE,
- Operation : Lever / Gearbox // Pneumatic / Electric / Hydraulic Actuator,
- According to API 609 standard.



Inch	DN	PN25-CLASS300		PN16		PN25		CLASS 150		CLASS 300	
		ØK	ØK	ØK	n-M	ØK	n-M	ØK	n-M	ØK	n-M
2	50	43	43	125	4-M16	165	4-M16	120.7	4-5/8" _11	127.0	8-5/8" _11
2½	65	46	46	145	4-M16	185	8-M16	139.7	4-5/8" _11	149.2	8-3/4" _10
3	80	46	48	160	8-M16	200	8-M16	152.4	4-5/8" _11	168.3	8-3/4" _10
4	100	52	54	180	8-M16	235	8-M20	190.5	8-5/8" _11	200.0	8-3/4" _10
5	125	56	59	210	8-M16	270	8-M24	215.9	8-3/4" _10	235.0	8-3/4" _10
6	150	56	59	240	8-M20	300	8-M24	241.3	8-3/4" _10	269.9	12-3/4" _10
8	200	60	73	295	12-M20	360	12-M24	298.4	8-3/4" _10	330.2	12-7/8" _9
10	250	68	83	355	12-M24	425	12-M27	361.9	12-7/8" _9	387.4	16-1" _8
12	300	78	92	410	12-M24	485	16-M27	431.8	12-7/8" _9	450.8	16-1½" _8
14	350	78	117	470	16-M24	555	16-M30	476.2	12-1" _8	514.4	20-1½" _8
16	400	102	133	525	16-M27	620	16-M33	539.2	16-1" _8	571.5	20-1¼" _7
18	450	114	149	585	20-M27	670	20-M33	577.8	16-1½" _8	628.6	24-1¼" _7
20	500	127	159	650	20-M30	730	20-M33	635.0	20-1½" _8	685.8	24-1¼" _7
24	600	154	181	770	20-M33	845	20-M36	749.3	20-1¼" _7	812.8	24-1½" _6

* DN700-DN1200 boyutları için lütfen tarafımızla iletişime geçiniz.

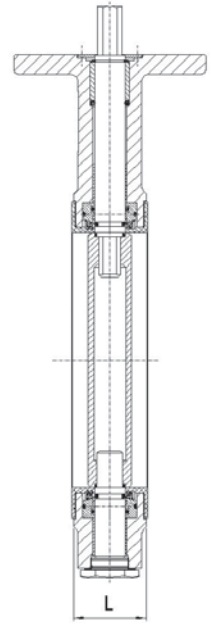
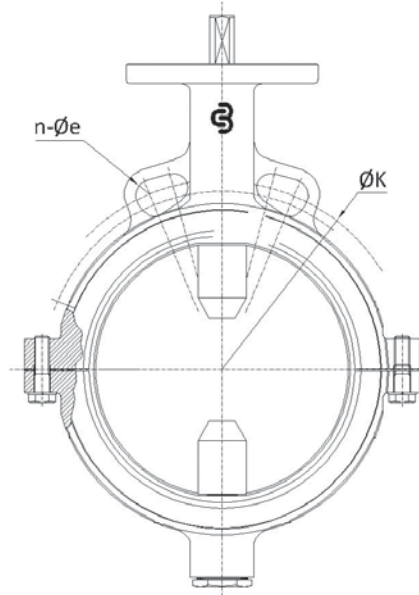
* For DN700-DN1200 please contact us for technical details.

PTFE contalı iki parçalı wafer tip kelebek vanalar (5530)

two piece PTFE (teflon) butterfly valves (5530)

- DN50-DN300,
- Basınç Sınıfı : PN6/10/16 Bar // Class 150,
- Gövde : Epoxy kaplama GGG40 / GGG40.3 / GSC25N / ASTM A216 WCB / AISI 316,
- Disk : AISI 316L / 3 mm PTFE Kaplı CF8M / AISI 316,
- Conta : EPDM / NBR / Viton alt destekli PTFE,
- Kumanda Şekli : Kollu / Redüktörlü // Pnömatik / Elektrik / Hidrolik Aktüatörlü,
- TS EN 593 / API 609 standartlarına uygun.

- DN50-DN300,
- Pressure Class : PN6/10/16 Bar // Class 150,
- Body : Epoxy coated GGG40 / GGG40.3 / GSC25N / ASTM A216 WCB / AISI 316,
- Disc : AISI 316L / 3 mm PTFE Coated CF8M / AISI 316,
- Seat : PTFE with EPDM / NBR / Viton Back-Up,
- Operation : Lever / Gearbox // Pneumatic / Electric / Hydraulic Actuator,
- According to TS EN 593 / API 609 standards.



* Teknik detaylar için 5100-5200 Kodlu Kelebek Vana tablosuna bakınız.
* Please use 5100-5200 coded Butterfly Valves table for technical details.

airlock kelebek vanalar (5610)

airlock butterfly valves (5610)

Burçelik Airlock kelebek vanalar %100 sızdırmazlık gereksinimi olan özel gaz ve havalandırma sistemleri için tasarlanmıştır. Kompakt dizaynı ile özellikle havalandırma uygulamalarında mükemmel sonuç verir. Aşağıdaki endüstri ve tesislerde kullanılır:

- İlaç endüstrisi,
- Askeri ve Sivil savunma,
- Kimya ve Petrokimya tesisleri,
- Nükleer tesisler,
- Hastane ve Araştırma Laboratuvarlarındaki tüm havalandırma ve klima tesislerinde.

Ayrıca aşağıdaki özellik ve opsiyonlarda kullanılmaktadır:

- DN80-DN200,
- Basınç Sınıfı : 1 bar ve altı,
- Gövde : ASTM A216 WCB / AISI 316,
- Disk : AISI 316,
- Kumanda Şekli : Kollu // Pnömatik / Elektrik Aktüatörlü.



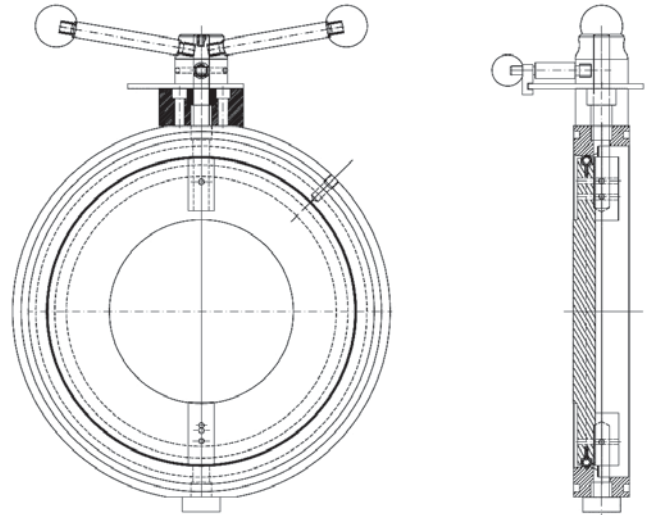
5610

Burçelik Airlock Butterfly Valves are designed for %100 tightness. It is the most reliable solution at ventilation systems with its compact design. It is also used at the following industries:

- Pharmaceutical industry,
- Military & Defense industries,
- Chemical and Petro-chemical plants,
- Nuclear plants,
- Hospitals and Laboratories ventilation and air conditioning systems.

Moreover; it has following features and options:

- DN80-DN200,
- Less or equal to 1 bar applications,
- Body : ASTM A216 WCB / AISI 316,
- Disc : AISI 316,
- Operation : Lever // Pneumatic / Electric Actuator.



hijyenik kelebek vanalar (5620)

sanitary butterfly valves (5620)



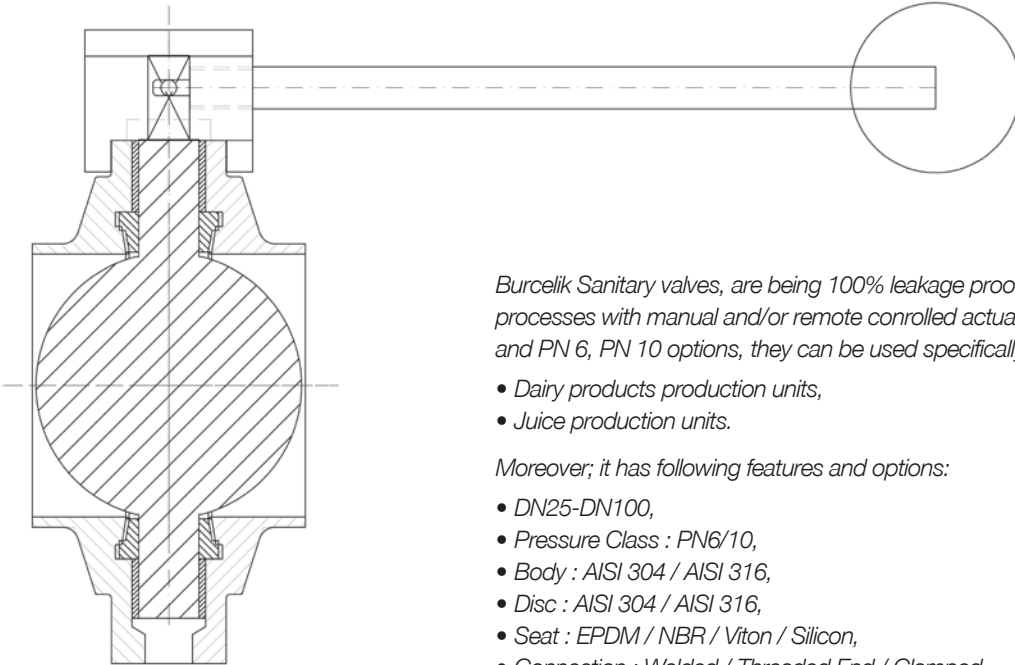
5620

Burçelik Gıda tipi vanaları, Hijyen ortamlarda kullanıma uygun %100 sızdırmazlık sağlayan, kollu ve otomasyona uygun tipleri, AISI 316 ve AISI 304 malzeme, PN 6 ve PN 10 seçenekleri ile özelliklerle:

- Süt ve süt endüstrisinde,
- Meyve suyu tesislerinde kullanılmaktadır.

Ayrıca aşağıdaki özellik ve opsiyonlarda kullanılmaktadır:

- DN25-DN100,
- Basınç Sınıfı : PN6/10,
- Gövde : AISI 304 / AISI 316,
- Disk : AISI 304 / AISI 316,
- Conta : EPDM / NBR / Viton / Silikon,
- Bağlantı Şekli : Kaynaklı / Dişli / Kelepçeli,
- DIN 11850 standardına uygun.



Burçelik Sanitary valves, are being 100% leakage proof, can be ideal at hygienic sanitary processes with manual and/or remote controlled actuator, AISI 316 and AISI 304 material, and PN 6, PN 10 options, they can be used specifically at the following applications:

- Dairy products production units,
- Juice production units.

Moreover; it has following features and options:

- DN25-DN100,
- Pressure Class : PN6/10,
- Body : AISI 304 / AISI 316,
- Disc : AISI 304 / AISI 316,
- Seat : EPDM / NBR / Viton / Silicon,
- Connection : Welded / Threaded End / Clamped,
- According to DIN 11850 standard.

flanşlı iki parçalı standart küresel vanalar (1100)

flanged two piece standard ball valves (1100)

Burçelik iki parçalı vanalar tüm zor şartlarda ve akışkanlarda üstün performans göstermektedir.

Boyutları : DIN 558-1'e göre

Bağlantılar : DIN EN 1092-2'e göre

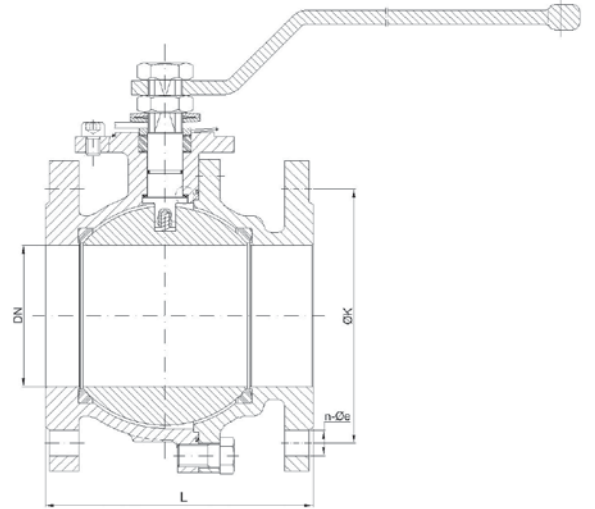
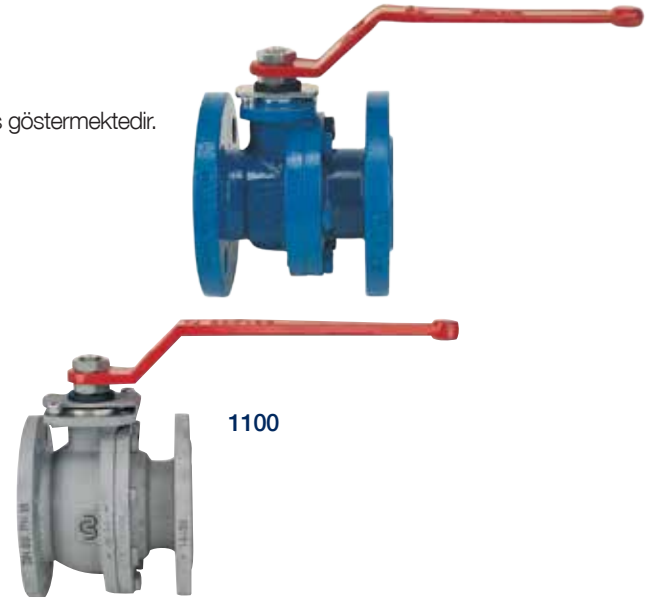
- DN15-DN300,
- Basınç Sınıfı : PN16/25/40 bar // ANSI 150/300,
- Gövde : GGG40 Epoxy kaplamalı / ASTM A216 WCB / CF8M / AISI 316,
- Küre : AISI 316 / CF8M / ASTM A216 WCB + Cr,
- Mil : AISI 416 / AISI 420 / AISI 316,
- Küre Siti : PTFE // Cam elyaf / Karbon takviyeli PTFE,
- Yangın Emniyetli,
- Kumanda Şekli : Kollu / Redüktörlü // Pnömatik / Elektrik Aktüatörlü,
- TS EN 3108 / TS EN 1983 / ASME B16,34 standartlarına uygun,
- Tam Geçişli (istenildiğinde Reduced Bore özelliklerinde),
- Çift taraflı mükemmel sızdırmazlık,
- Kolay bakım yapılabilme.

Burçelik Two Piece Ball Valves are designed for high performance with all types of flows at difficult conditions.

Sizes: According to DIN 558-1

Flange Connection: According to DIN EN 1092-2

- DN15-DN300,
- Pressure Class : PN16/25/40 bar // ANSI 150/300,
- Body : GGG40 Epoxy coated / ASTM A216 WCB / CF8M / AISI 316,
- Ball : AISI 316 / CF8M / ASTM A216 WCB + Cr,
- Stem : AISI 416 / AISI 420 / AISI 316,
- Ball Seat : PTFE // Glass Filled / Carbon Reinforced RPTFE,
- Fire Safe Approved,
- Operation : Lever / Gearbox // Pneumatic / Electric Actuator,
- According to TS EN 3108 / TS EN 1983 / ASME B16,34 standards,
- Full Bore (Reduced Bore can be possible upon request),
- Easy maintenance.



DN	L			PN16			PN25			PN40			ANSI 150			ANSI300				
	F1	F4	F5	Class 150	Class 300	ØK	Øe	n	ØK	Øe	n	ØK	Øe	n	ØK	Øe	n			
15	130			108	140	65	14	4	65	14	4	65	14	4	60.5	16	4	66.5	16	4
20	150			117	152	75	14	4	75	14	4	75	14	4	69.9	16	4	82.5	19	4
25		125		127	165	85	14	4	85	14	4	85	14	4	79.2	16	4	88.9	19	4
32		130		140	178	100	18	4	100	18	4	100	18	4	88.9	16	4	98.4	19	4
40		140		165	190	110	18	4	110	18	4	110	18	4	98.4	16	4	114.3	23	4
50		150		178	216	125	18	4	125	18	4	125	18	4	120.6	20	4	127	19	8
65		170		190	241	145	18	4	145	18	8	145	18	8	139.7	20	4	149.2	23	8
80		180		203	283	160	18	8	160	18	8	160	18	8	152.4	20	4	168.3	23	8
100		190		229	305	180	18	8	190	23	8	190	23	8	190.5	20	8	200	23	8
125			325	254	381	210	18	8	220	28	8	220	27	8	215.9	23	8	234.9	23	8
150			350	394	403	240	23	8	250	28	8	250	27	8	241.3	23	8	269.9	23	12
200			400	457	502	295	23	12	310	28	12	320	30	12	298.4	23	8	330.2	26	12
250			450	533	568	355	27	12	370	31	12	385	33	12	361.9	26	12	387.3	29	16
300			500	610	648	410	27	12	430	31	16	450	33	16	431.8	26	12	450.8	32	16

flanşlı üç parçalı standart küresel vanalar (1200)

flanged three piece standard ball valves (1200)

Burçelik üç parçalı vanalar tüm zor şartlarda ve akışkanlarda üstün performans göstermektedir.

Boyutlar : DIN 558-1-1'e göre

Bağlantı : DIN EN 1092-2'e göre

- DN15-DN300,
- Basınç Sınıfı : PN16/25/40 bar // ANSI 150/300,
- Gövde : GGG40 Epoxy kaplamalı / ASTM A216 WCB / CF8M / AISI 316,
- Küre : AISI 316 / CF8M / ASTM A216 WCB + Cr,
- Mil : AISI 416 / AISI 420 / AISI 316,
- Küre Siti : PTFE // Cam elyaf / Karbon takviyeli PTFE,
- Yangın Emniyetli,
- Kumanda Şekli : Kollu / Redüktörlü // Pnömatik / Elektrik Aktüatörlü,
- TS EN 3108 / TS EN 1983 / ASME B16,34 standartlarına uygun,
- Tam Geçişli (istenildiğinde Reduced Bore özelliklerinde),
- Çift taraflı mükemmel sızdırmazlık,
- Kolay bakım yapılabilme.

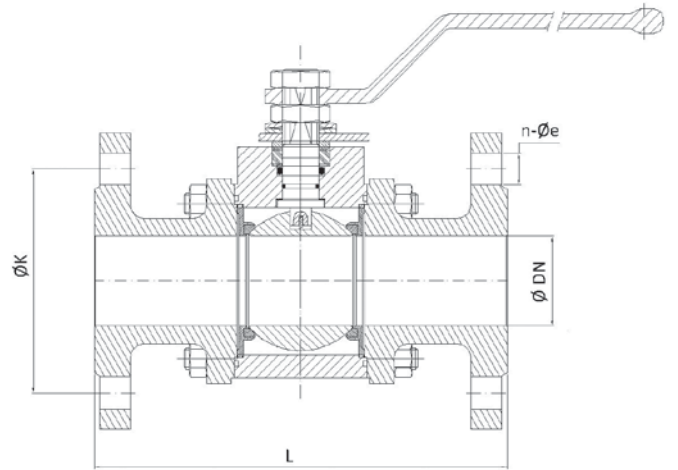


Burçelik Three Piece Ball Valves are designed for high performance with all types of flows at difficult conditions.

Dimension : According to DIN 558-1-1

Flange Connection : According to DIN EN 1092-2

- DN15-DN300,
- Pressure Class : PN16/25/40 bar // ANSI 150/300,
- Body : GGG40 Epoxy coated / ASTM A216 WCB / CF8M / AISI 316,
- Ball : AISI 316 / CF8M / ASTM A216 WCB + Cr,
- Stem : AISI 416 / AISI 420 / AISI 316,
- Ball Seat : PTFE // Glass Filled / Carbon Reinforced RPTFE,
- Fire Safe Approved,
- Operation : Lever / Gearbox // Pneumatic / Electric Actuator,
- According to TS EN 3108 / TS EN 1983 / ASME B16,34 standards,
- Full Bore (Reduced Bore can be possible upon request),
- With Trunion mounted design, tightness for both side of the valve is guaranteed,
- Easy maintenance.



L			PN16			PN25			PN40			ANSI 150		
DN	F1	Class 150	ØK	Øe	n	ØK	Øe	n	ØK	Øe	n	ØK	Øe	n
15	130	108	65	14	4	65	14	4	65	14	4	60.5	16	4
20	150	117	75	14	4	75	14	4	75	14	4	69.9	16	4
25	160	127	85	14	4	85	14	4	85	14	4	79.2	16	4
32	180	140	100	18	4	100	18	4	100	18	4	88.9	16	4
40	200	165	110	18	4	110	18	4	110	18	4	98.4	16	4
50	230	178	125	18	4	125	18	4	125	18	4	120.6	20	4
65	290	190	145	18	4	145	18	8	145	18	8	139.7	20	4
80	310	203	160	18	8	160	18	8	160	18	8	152.4	20	4
100	350	229	180	18	8	190	23	8	190	23	8	190.5	20	8
125	400	254	210	18	8	220	28	8	220	27	8	215.9	23	8
150	480	394	240	23	8	250	28	8	250	27	8	241.3	23	8
200	600	457	295	23	12	310	28	12	320	30	12	298.4	23	8
250	730	533	355	27	12	370	31	12	385	33	12	361.9	26	12
300	850	610	410	27	12	430	31	16	450	33	16	431.8	26	12

TSE 9809 F1 tip doğalgaz küresel vanalar (1250)

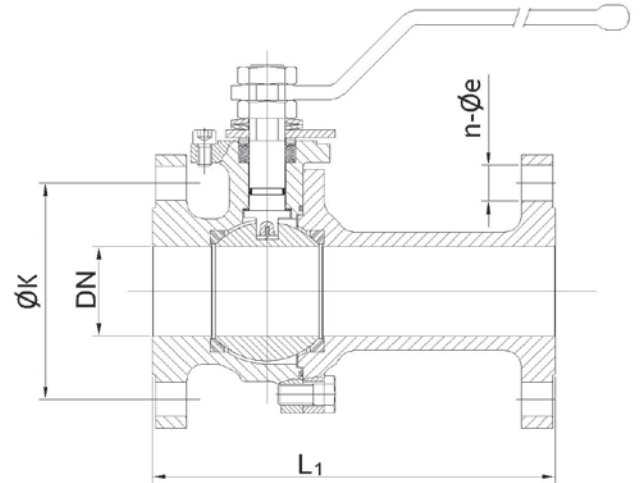
TSE 9809 F1 type gas ball valves (1250)

- DN65-DN300,
- Basınç Sınıfı : PN16/25/40,
- Gövde & Kapak : GGG40 / GSC25N / ASTM A216 WCB / CF8M / AISI 316,
- Küre : GSC25N / ASTM A216 WCB / CF8M / AISI 316,
- Conta : PTFE,
- TSE 9809 standardına uygun.

- DN65-DN300,
- Pressure Class : PN16/25/40,
- Body & Cap : GGG40 / GSC25N / ASTM A216 WCB / CF8M / AISI 316,
- Ball : GSC25N / ASTM A216 WCB / CF8M / AISI 316,
- Seat : PTFE,
- According to TSE 9809 standard.



1250



DN	L	PN16		PN25		PN40A	
		ØK	n-Øe	ØK	n-Øe	ØK	n-Øe
65	290	145	8-Ø18	145	8-Ø18	145	8-Ø18
80	310	160	8-Ø18	160	8-Ø18	160	8-Ø18
100	350	180	8-Ø18	190	8-Ø22	190	8-Ø22
125	400	210	8-Ø18	220	8-Ø26	220	8-Ø26
150	450	240	8-Ø22	250	8-Ø26	250	8-Ø26
200	550	295	12-Ø22	310	12-Ø26	320	12-Ø30
250	650	355	12-Ø26	370	12-Ø30	385	12-Ø33
300	750	410	12-Ø26	430	12-Ø30	450	16-Ø33

flanşlı endüstriyel / petrol ve doğalgaz küresel vanalar (1300)

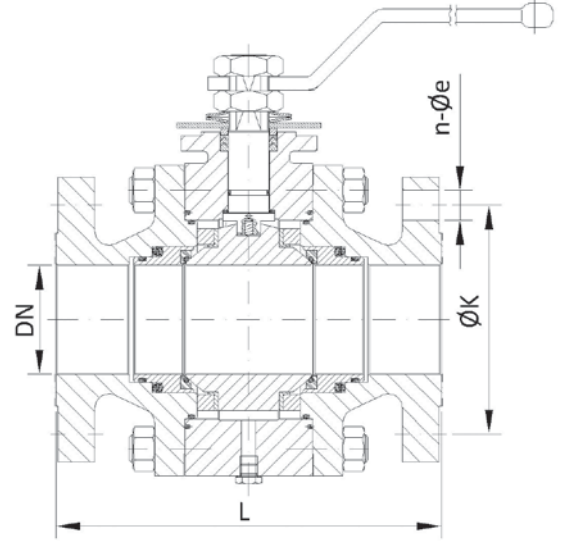
flanged industrial / oil and gas ball valves (1300)

Burçelik Endüstriyel küresel vanaları, Petrol ve Doğalgaz hatlarında, zor şartlarda üstün performans göstermektedirler.

- Class 150 : DN50-DN150 Yüzer küre Floating, DN200-DN300 Çift yataklamalı Trunnion,
- Class 300 / 600 / 900 : DN50-DN900 Çift yataklamalı Trunnion,
- Class 1500 : DN50-DN800 ve Class 2500 : DN50-DN600 Çift yataklamalı Trunnion.
- Basınç Sınıfı : Class 150 / 300 / 600 / 900 / 1500 / 2500,
- Gövde & Kapak : ASTM A216 WCB / ASTM A-105 / CF8M / AISI 316,
- Küre : ASTM A-105 / ASTM A-105 Krom kaplı / CF8M / AISI 316,
- Kumanda Şekli : Kollu / Redüktörlü // Pnömatik / Elektrik / Hidrolik Aktüatörü,
- ISO 14313 / API 6D / ASME B16,34 standartlarına uygun,
- Tam Geçişli (istenildiğinde Reduce Bore özelliklerinde),
- Trunnion Monted özelliği sayesinde çift taraflı sızdırmazlık,
- Müşteri şartnameleri doğrultusunda üretim.

Burçelik Oil and Gas are designed according to meet the extreme conditions in Oil and Gas industry.

- Class 150 : DN50-DN150 Floating, DN200-DN300 Trunnion,
- Class 300 / 600 / 900 : DN50-DN900 Trunnion,
- Class 1500 : DN50-DN800 and Class 2500 : DN50-DN600 Trunnion,
- Pressure Class: Class 150 / 300 / 600 / 900 / 1500 / 2500,
- Body & Cap : ASTM A216 WCB / ASTM A-105 / CF8M / AISI 316,
- Ball : ASTM A-105 / ASTM A-105 Krom kaplı / CF8M / AISI 316,
- Operation : Lever // Gearbox // Pneumatic / Electric / Hydraulic Actuator,
- According to ISO 14313 / API 6D / ASME B16,34 standards,
- Full Bore (Reduced Bore can be possible upon request),
- With Trunnion mounted design, tightness for both side of the valve is guaranteed,
- Production according to customer specification.



1300



DN	L			CLASS 150			CLASS 300			CLASS 600		
	Class 150	Class 300	Class 600	ØK	Øe	n	ØK	Øe	n	ØK	Øe	n
50	178	216	292	120.7	20	4	127	20	8	127	20	8
65	191	241	330	139.7	20	4	149.35	23	8	149.35	23	8
80	203	283	356	152.4	20	4	168.2	23	8	168.2	23	8
100	229	305	432	190.5	20	8	200.152	23	8	215.9	26	8
150	394	457	559	241.3	23	8	269.75	23	12	292.1	29	12
200	457	502	660	298.5	23	8	330.2	26	12	349.25	32	12
250	533	568	787	362.0	26	12	412.75	29	16	431.8	35	16
300	610	648	838	431.8	26	12	450.85	32	16	489	35	20

* Class 900 - Class 1500 - Class 2500 Teknik detaylar için lütfen tarafımızla iletişime geçiniz

* For Class 900 - Class 1500 - Class 2500 please contact us for technical details.

flanşlı double block ve bleed küresel vanalar (1350)

flanged double block and bleed ball valves (1350)

Burçelik Double Block ve Bleed küresel vanaları, Petrol ve Doğalgaz hatlarında, çift emniyet ve yüksek performans gerektiren uygulamalarda kullanılır, montaj ve bakım kolaylığı sağlar.

- Class 150 : DN50-DN150 Yüzer küre Floating, DN200-DN300 Çift yataklamalı Trunnion,
- Class 300 / 600 : DN50-DN300 Çift yataklamalı Trunnion,
- Basınç Sınıfı : Class 150 / 300 / 600,
- Gövde & Kapak : ASTM A216 WCB / ASTM A-105 / CF8M / AISI 316,
- Küre : ASTM A-105 / ASTM A-105 Krom kaplı / CF8M / AISI 316,
- Kumanda Şekli : Kollu / Redüktörlü // Pnömatik / Elektrik / Hidrolik Aktüatörlü,
- ISO 14313 / API 6D / ASME B16,34 standartlarına uygun.

Burçelik Double Block and Bleed ball valves designed according to meet high performance conditions, reducing installation and maintenance costs in Oil and Gas industry.

- Class 150 : DN50-DN150 Floating, DN200-DN300 Trunnion,
- Class 300 / 600 : DN50-DN300 Trunnion,
- Pressure Class: Class 150 / 300 / 600,
- Body & Cap : ASTM A216 WCB / ASTM A-105 / CF8M / AISI 316,
- Ball : ASTM A-105 / ASTM A-105 Chrome Coated / CF8M / AISI 316,
- Operation : Lever / Gearbox // Pneumatic / Electric / Hydraulic Actuator,
- According to ISO 14313 / API 6D / ASME B16,34 standards.



1350

kaynaklı yer altı / yer üstü petrol ve doğalgaz küresel vanalar (1400)

welded oil and gas ball valves (1400)

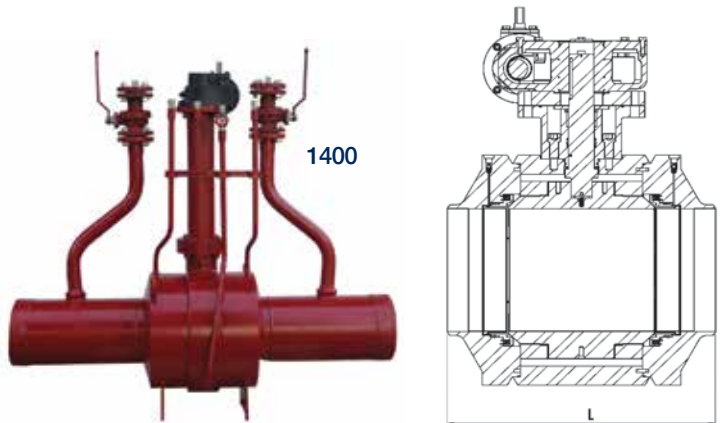
Burçelik Yer altı / Yer üstü Kaynaklı Küresel vanalar Petrol ve Doğalgaz hatlarında, şehir içi Gaz dağıtım hat ve istasyonlarında, yer altı ve yer üstü kullanıma uygun ve zor şartlarda üstün performans göstermektedir. API 6D (ISO 14313) ana standartına ve standartın atıfta bulunduğu standartlara uygundur.

- DN50-DN750 Çift yataklamalı Trunnion,
- Basınç Sınıfı : Class 150 / 300 / 600 / 900 / 1500 / 2500,
- Gövde & Kapak: ASTM A216 WCB (Class 150 için opsiyon) / ASTM A-105,
- Küre: ASTM A-105 / ASTM A-105 Krom kaplı / CF8M / AISI 316,
- Kumanda Şekli : Kollu // Yandan kumandalı / Üstten kumandalı Redüktör // Elektrik / Hidrolik Aktüatörlü,
- ISO 14313 / API 6D / ASME B16,34 standartlarına uygun,
- Tam Geçişli (istenildiğinde Reduce Bore özelliklerinde),
- Trunnion Mounted özelliği sayesinde çift taraflı sızdırmazlık,
- Müşteri şartnameleri doğrultusunda üretim.

Burçelik Oil and Gas valves are designed according to meet the extreme conditions in Oil and Gas industry. They follow the API 6D (ISO 14313) main standard and the other standards that it refers to.

- DN50-DN750 Trunnion,
- Pressure Class : Class 150 / 300 / 600 / 900 / 1500 / 2500,
- Body & Cap: ASTM A216 WCB (only for Class 150) / ASTM A-105,
- Ball : ASTM A-105 / ASTM A-105 Chrome coated / CF8M / AISI 316,
- Operation: Lever // Side operated / Top operated Gearbox // Pneumatic / Electric / Hydraulic Actuator,
- According to ISO14313 / API 6D / ASME B16,34 standards,
- Full bore or Reduced bore,
- With Trunnion mounted design, tightness for both side of the valve is guaranteed,
- Production according to customer specifications.

DN	L		
	CLASS 150	CLASS 300	CLASS 600
50	216	216	292
80	283	283	356
100	305	305	432
150	457	457	559
200	521	521	660
250	559	559	787
300	635	635	838
400	838	838	991
500	991	991	1194
600	1143	1143	1397
750	1397	1397	1651



* Class 900 - Class 1500 - Class 2500 teknik detaylar için lütfen tarafımızla iletişime geçiniz
* For Class 900 - Class 1500 - Class 2500 please contact us for technical details.

flanşlı / kaynak ağızlı top-entry küresel vanalar (1500-1550)

flanged / butt welded top-entry ball valves (1500-1550)

Tüm hareketli parçaları içine alan tek parçalı vana gövdesi, üstten girişli farklı tasarımı ile Burçelik'in tasarladığı Top Entry Vanaları, yüksek sızdırmazlık, yüksek basınç ve sıcaklıklara karşı yüksek dayanım, hat üzerinde bir günde tamir ve bakım imkanı sağlar.

- DN50-DN750,
- Class 150 / 300 / 600 / 900 : Yüzer küre Floating / Çift yataklamalı Trunnion,
- Basınç Sınıfı : Class 150 / 300 / 600 / 900,
- Gövde & Kapak : ASTM A-105 / ASTM A216 WCB / CF8M / AISI 316,
- Küre : ASTM A-105 / CF8M / AISI 316,
- Kumanda Şekli : Kollu // Pnömatik / Elektrik / Hidrolik Aktüatörlü,
- ISO 14313 / API 6D / ASME B16,34 standartlarına uygun.

Burçelik Top Entry Ball Valve design, encapsulating all moving parts, provides excellent tightness and resistance to high pressure and temperature. Maintenance is simplified since almost all repairs can be done without dismantling the valve from line.

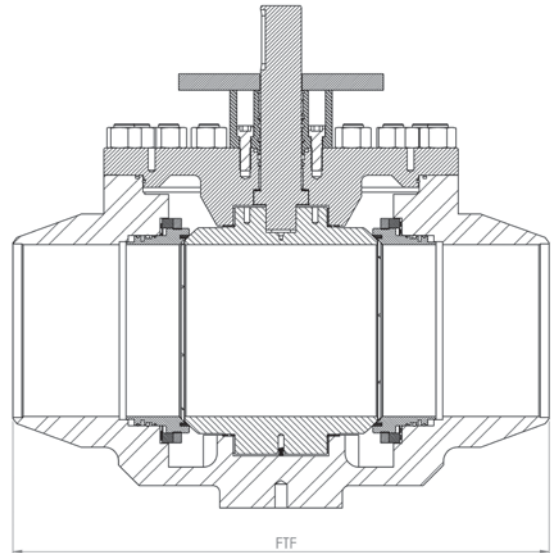
- DN50-DN750,
- Class 150 / 300 / 600 / 900 : Floating / Trunnion,
- Pressure Class : Class 150 / 300 / 600 / 900,
- Body & Cap : ASTM A-105 / ASTM A216 WCB / CF8M / AISI 316,
- Ball : ASTM A-105 / CF8M / AISI 316,
- Operation : Lever // Pneumatic / Electric / Hydraulic Actuator,
- According to ISO 14313 / API 6D / ASME B16,34 standards.



1500



1550



DN	L					
	CLASS 150		CLASS 300		CLASS 600	
	Flanged	Welded End	Flanged	Welded End	Flanged	Welded End
50	178	216	216	216	292	292
80	203	283	283	283	356	356
100	229	305	305	305	432	432
150	394	457	403	457	559	559
200	457	521	502	521	660	660
250	533	559	568	559	787	787
300	610	635	648	635	838	838
400	762	838	838	838	991	991
500	914	991	991	991	1194	1194
600	1067	1143	1143	1143	1397	1397
750	1295	1397	1397	1397	1651	1651

* Class 900 - Class 1500 - Class 2500 Teknik detaylar için lütfen tarafımızla iletişime geçiniz

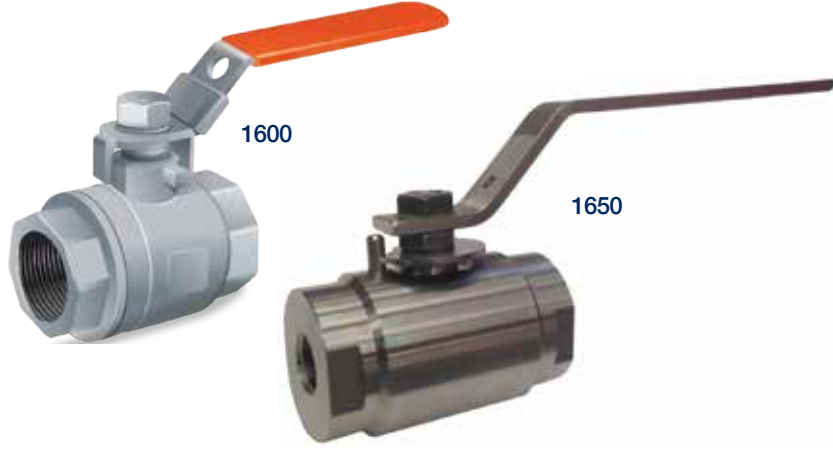
* For Class 900 - Class 1500 - Class 2500 please contact us for technical details.

class 800 dişli / soket kaynaklı küresel vanalar (1600-1650)

class 800 threaded / socket weld ball valves (1600-1650)

- DN15-DN50,
- Basınç Sınıfı : Class 800,
- Gövde & Kapak : ASTM A-105 / AISI 316,
- Küre : ASTM A-105 / AISI 316,
- Kumanda Şekli : Kollu,
- ASME B16,11 / ASME B1.20.1 standartlarına uygun.

- DN15-DN50,
- Pressure Class : Class 800,
- Body & Cap : ASTM A-105 / AISI 316,
- Ball : ASTM A-105 / AISI 316,
- Operation : Lever,
- According to ASME B16,11 / ASME B1.20.1 standards.



PN 63 iki / üç parçalı dişli küresel vanalar (1700-1750)

PN 63 two / three piece threaded ball valves (1700-1750)

Burçelik PN 63 dişli küresel vanalar, tam geçişli, 2 ve 3 parçalı olarak üretilmektedir. Bu vanalar 1000 psi / 68 bar basınca dayanıklıdır.

- DN15-DN50,
- Basınç Sınıfı : PN63,
- Gövde & Kapak : ASTM A-105 / AISI 316,
- Küre : ASTM A-105 / AISI 316,
- Kumanda Şekli : Kollu,
- TS EN 331 standartına uygun.

Burçelik PN 63 threaded ball valves manufactured with full bore, 2 and 3 piece threaded. These ball valves can be resistant up to 1000 psi / 68 bar pressure.

- DN15-DN50,
- Pressure Class : PN63,
- Body & Cap : ASTM A-105 / AISI 316,
- Ball : ASTM A-105 / AISI 316,
- Operation : Lever,
- According to TS EN 331 standard.



monoblok wafer küresel vanalar (1800)

monoblock wafer ball valves (1800)

Burçelik Monoblok vanalar, kompakt yapıları sayesinde proses hatlarında daha az yer kaplar, yangın emniyetli tipler olduğundan özellikle:

- Doğalgaz, LNG-LPG, Fuel-Oil,
- Basıncı hava ve diğer gazların kullanımında,
- Gemi imalat sektöründe,
- Depolama tesislerinde kullanılmaktadır.

PN10/25/40 basınç sınıflarında, Çelik, Paslanmaz ve Dövme malzemeden, kolu ve doğrudan ISO 5211 tepe flanşı bağlantı standardı ile pnömatrik veya elektrik kumandalı otomasyon sistemlerinde kullanılır.

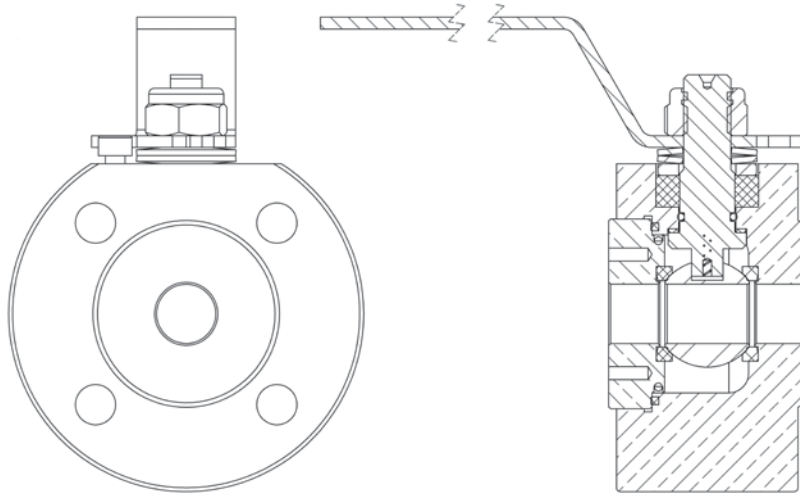
- DN15-DN200,
- Basınç Sınıfı : PN10/25/40,
- Gövde & Kapak : ASTM A-105 / ASTM A216 WCB / CF8M / AISI 316 / Alu-Bronz,
- Küre : CF8M / AISI 316 / AluBronz,
- ASME B16,5 standardına uygun.

Because of its compact design, Burçelik Monoblock Wafer type ball valves need less space in the process control lines. With its fire safe features, it is common to be used in the following industries:

- Oil & Gas Industries,
- Pressurised air and different gas applications,
- Marine Industry,
- Storage facilities.

Available in PN10/25/40 pressure class, with Steel, Stainless-Steel or Forged body, as well as manual, pneumatic and electric actuator options. Wafer type Ball Valve can be installed easily to all automated systems.

- DN15-DN200,
- Pressure Class : PN10/25/40,
- Body & Cap : ASTM A-105 / ASTM A216 WCB / CF8M / AISI 316 / AluBronz,
- Ball : CF8M / AISI 316 / AluBronz,
- According to ASME B16,5 standard.



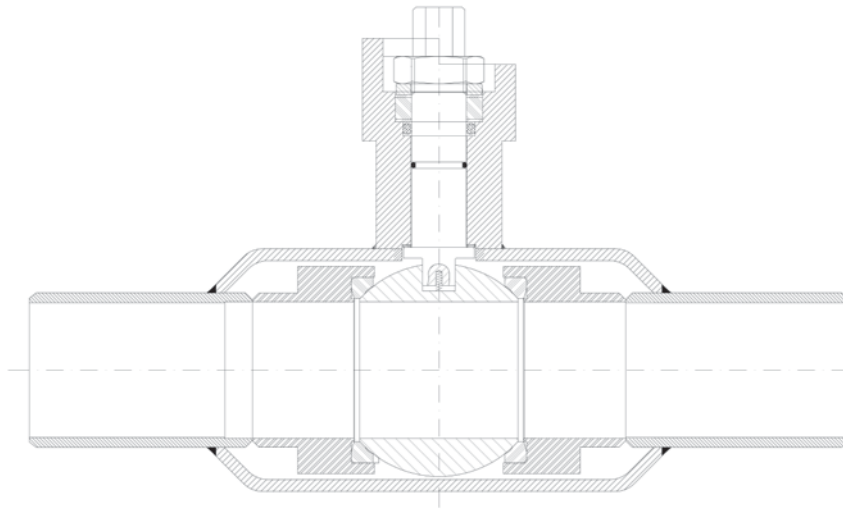
jeotermal küresel vanalar (1900) geothermal ball valves (1900)

Burçelik yer altı hat vanaları, özel tasarımı ve kaynak birleşimli kapalı sistem yapısı sayesinde özellikle yer altı jeotermal sistemlerde ve kapalı hat iletim sistemlerinde kullanılabilir.

- DN25-DN1000,
- Basınç Sınıfı : PN16/25/40 // Class 150 / 300,
- Gövde & Kapak : St37 / St52,
- Küre : ASTM A-105 + Krom kaplı / CF8M / AISI 316,
- ASME B16,34 standardına uygun,
- Korozyona dayanıklı özel kaplama.

Burçelik's Geothermal underground line valves, with special welded design can be used at critical underground geothermal applications.

- DN25-DN1000,
- Pressure Class : PN16/25/40 // Class 150 / 300,
- Ball & Cap : St37 / St52,
- Ball : ASTM A-105 + Chrome Coated / CF8M / AISI 316,
- According to ASME B16,34 standard,
- Corrosion-resistant coating.



döküm gate vanalar (2100)

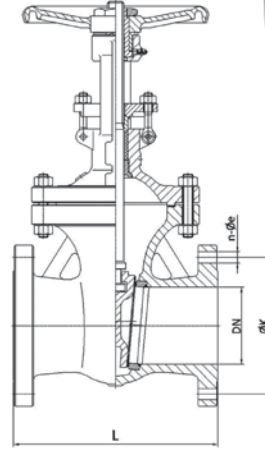
cast steel gate valves (2100)

Burçelik Gate Vanaları tam açma ve tam kapama gerektiren devrelerde kullanılırlar. Tam açık konumda düzgün akış sağlarlar. Yerel basınç kaybı çok düşüktür. Gate Vanalar kısma ve debi ayar amaçlı kullanılmazlar.

- Class 150 / 300 : DN50-DN900,
- Class 600 : DN50-DN600,
- Class 900 / 1500 : DN50-DN400,
- Class 2500 : DN50-DN300,
- Basınç Sınıfı : Class 150 / 2500,
- Gövde & Kapak : ASTM A216 WCB / CF8M / AISI 316,
- Sürgü & İç aksam : Trim 1-12,
- NRS - Yükselmeyen Milli,
- API 600 / ASME B16,34 / BS 1414 standartlarına uygun.

Burçelik Gate Valves are used in the lines requiring fully open/close positions. These valves can provide a laminar flow in fully open position. Local pressure loss is very low. Gate valves are not used for throttling and regulating.

- Class 150 / 300 : DN50-DN900,
- Class 600 : DN50-DN600,
- Class 900 / 1500 : DN50-DN400,
- Class 2500 : DN50-DN300,
- Pressure Class : Class 150 / 2500,
- Body & Bonnet : ASTM A216 WCB / CF8M / AISI 316,
- Wedge & Internal Parts : Trim 1-12,
- NRS - Non-Rising Stem,
- According to API 600 / ASME B16,34 / BS 1414 standards.



2100

DN	L			CLASS 150			CLASS 300			CLASS 600		
	Class 150	Class 300	Class 600	ØK	Øe	n	ØK	Øe	n	ØK	Øe	n
50	178	216	292	120.5	20	4	127	20	8	127	20	8
80	203	282	356	152.5	20	4	168	23	8	168	23	8
100	229	305	432	190.5	20	8	200	23	8	216	26	8
150	267	403	559	241.5	23	8	270	23	12	292	30	12
200	292	419	660	298.5	23	8	330	26	12	349	33	12
250	330	457	787	362.0	26	12	387.5	30	16	432	36	16
300	356	502	838	432.0	26	12	451	33	16	489	36	20
400	406	838	991	540.0	30	16	571.5	36	20	603	42	20
500	457	991	1194	635.0	33	20	686	36	24	724	45	24
600	508	1143	1397	749.5	36	20	813	42	24	838	52	24

* Class 900 - Class 1500 - Class 2500 Teknik detaylar için lütfen tarafımızla iletişime geçiniz.

* For Class 900 - Class 1500 - Class 2500 please contact us for technical details.



2150

dövme gate vanalar (2150)

forged steel gate valves (2150)

- DN15-DN50,
- Basınç Sınıfı : Class 150 – 2500,
- Gövde : ASTM A-105,
- Sürgü & İç aksam : Trim 1-12,
- NRS - Yükselmeyen Milli,
- API 602 / ASME B16,34 / BS 1414 standartlarına uygun.

- DN15-DN50,
- Pressure Class : Class 150 – 2500,
- Body : ASTM A-105,
- Wedge & Internal Parts : Trim 1-12,
- NRS – Non-Rising Stem,
- According to API 602 / ASME B16,34 / BS 1414 standards.

plate gate vanalar (2200)

plate gate valves (2200)

- DN150-DN1200,
- Basınç Sınıfı : PN6/10,
- Gövde & Sürgü : GGG40,
- Kumanda Şekli : Kollu / Redüktörlü / Elektrik Aktüatörlü,
- API 600 / ASME B16,34 / BS 1414 standartlarına uygun.

- DN150-DN1200,
- Pressure Class : PN6/10,
- Body & Wedge : GGG40,
- Operation: Lever / Gearbox / Electric Actuator,
- According to API 600 / ASME B16,34 / BS 1414 standards.



biçaklı gate vanalar (2300)

knife gate valves (2300)

- DN50-DN600,
- Basınç Sınıfı : PN6/10,
- Gövde & Kapak : GGG40 / ASTM A216 WCB / CF8M / AISI 316,
- Disk : AISI 304 / AISI 316,
- Kumanda Şekli : Kollu / Redüktörlü // Pnömatik / Elektrik Aktüatörlü,
- ASME B16,5 bağlantı standardına uygun.

- DN50-DN600,
- Pressure Class : PN6/10,
- Body & Bonnet : GGG40 / ASTM A216 WCB / CF8M / AISI 316,
- Disc : AISI 304 / AISI 316,
- Operation : Lever / Gearbox // Pneumatic / Electric Actuator,
- According to ASME B16,5 standard.

elastomer kaplı gate vanalar (2400)

rubber sealing gate valves (2400)

- DN50-DN400,
- Basınç Sınıfı : PN10/16 // ANSI 150,
- Gövde & Kapak : GGG40,
- Sürgü : GGG40 + EPDM / NBR,
- Kumanda Şekli : Kollu / Yükselen Millî / Yükselmeyen Millî,
- BS 5163 standardına uygun.

- DN50-DN400,
- Pressure Class : PN10/16 // ANSI 150,
- Body & Bonnet : GGG40,
- Wedge : GGG40 + EPDM / NBR,
- Operation : Lever / Rising Stem / Non-Rising Stem,
- According to BS 5163 standard.



döküm glob vanalar (3100)

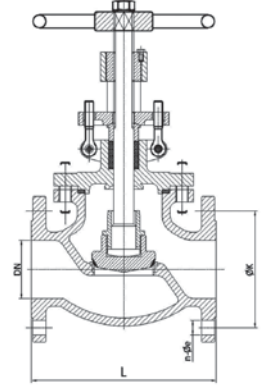
cast steel globe valves (3100)

Burçelik Glob Vanaları kapama, kısma ve ayar amacıyla kullanılırlar. Glob Vanalar çalışma prensibi gereği yüksek akış direnci oluştururlar. Sık açma ve kapamaya elverişli vanalardır.

- Class 150 / 300 : DN15-DN600
- Class 600 : DN 50-DN400,
- Class 900 : DN50-DN300,
- Basınç Sınıfı : Class 150 / 300 / 600 / 900,
- Gövde & Kapak : ASTM A216 WCB / CF8M / AISI 316,
- Disk & İç aksam : Trim 1-12,
- RS - Yükselen Milli,
- BS 1873 / ASME B16,34 standartlarına uygun.

Burçelik Globe Valves are used to closing, throttling and adjusting. Globe valves make high flow resistance according to their working principles. These valves can be useful for frequent opening and closing.

- Class 150 / 300 : DN15-DN600
- Class 600 : DN 50-DN400,
- Class 900 : DN50-DN300,
- Pressure Class : Class 150 / 300 / 600 / 900,
- Body & Bonnet : ASTM A216 WCB / CF8M / AISI 316,
- Disc & Internal Parts : Trim 1-12,
- RS - Rising Stem,
- According to BS 1873 / ASME B16,34 standards.



DN	L			CLASS 150			CLASS 300			CLASS 600		
	Class 150	Class 300	Class 600	ØK	Øe	n	ØK	Øe	n	ØK	Øe	n
50	203	267	292	120.5	20	4	127	20	8	127	20	8
80	241	318	356	152.5	20	4	168	23	8	168	23	8
100	292	356	432	190.5	20	8	200	23	8	216	26	8
150	406	444	559	241.5	23	8	270	23	12	292	30	12
200	495	559	660	298.5	23	8	330	26	12	349	33	12
250	622	622	787	362.0	26	12	387.5	30	16	432	36	16
300	698	711	838	432.0	26	12	451	33	16	489	36	20
400	914	-	991	540.0	30	16	571.5	36	20	603	42	20
500	978	-	1194	635.0	33	20	686	36	24	724	45	24
600	1295	-	1397	749.5	36	20	813	42	24	838	52	24

* Class 900 - Class 1500 - Class 2500 Teknik detaylar için lütfen tarafımızla iletişime geçiniz.

* For Class 900 - Class 1500 - Class 2500 please contact us for technical details.

dövme glob vanalar (3150)

forged steel globe valves (3150)

- DN15-DN50,
- Basınç Sınıfı : Class 150 / 1500 / 2500,
- Gövde & Kapak : ASTM A-105 / AISI316,
- Disk & İç aksam : Trim 1-12,
- RS - Yükselen Milli,
- BS 1873 / ASME B16,34 standartlarına uygun.

- DN15-DN50,
- Pressure Class : Class 150 / 1500 / 2500,
- Body & Bonnet : ASTM A-105 / AISI 316,
- Disc & Internal Parts : Trim 1-12,
- RS - Rising Stem,
- According to BS1873 / ASME B16,34 standards.



yağlamalı / yağlamasız flanşlı plug vanalar (3510-3520)

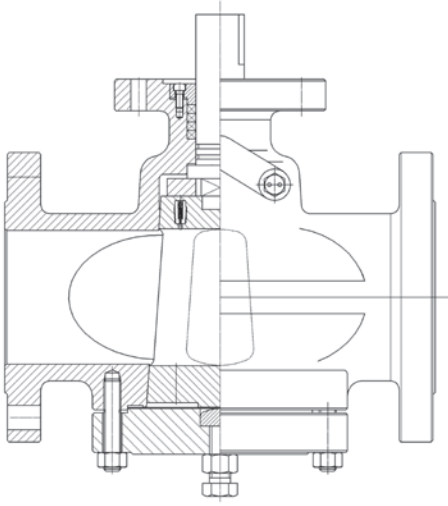
lubricated / non-lubricated flanged plug valves (3510-3520)

- DN50-DN300,
- Basınç Sınıfı : Class 150 / Class 300 / Class 600,
- Gövde & Kapak : GGG40 / ASTM A216 WCB / CF8M / AISI 316,
- API 599 / ASME B16,34 standartlarına uygun.

- DN50-DN300,
- Pressure Class : Class 150 / Class 300 / Class 600,
- Body & Bonnet : GGG40 / ASTM A216 WCB / CF8M / AISI 316,
- According to API 599 / ASMe B16,34 standards.



3510



3520

PFA kaplı flanşlı plug vanalar (3530)

PFA lined flanged plug valves (3530)



3530

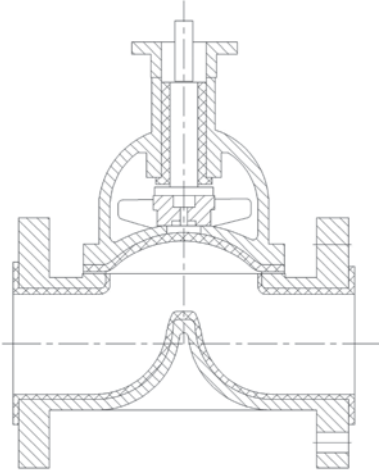
- DN50-DN300,
- Basınç Sınıfı : Class 150 / Class 300 / Class 600,
- Gövde & Kapak : GGG40 / ASTM A216 WCB / CF8M / AISI 316,
- API 599 / ASME B16,34 standartlarına uygun.

- DN50-DN300,
- Pressure Class : Class 150 / Class 300 / Class 600,
- Body & Bonnet : GGG40 / ASTM A216 WCB / CF8M / AISI 316,
- According to API 599 / ASME B16,34 standards.

flanşlı diyafram vanalar (3700)

flanged diaphragm valves (3700)

- DN25-DN300,
- Basınç Sınıfı : PN6/10/16,
- Diyafram : NBR / EPDM / Viton / PTFE,
- Gövde & Kapak : GGG40 / ASTM A216 WCB / CF8M / AISI 316,
- ASME B16,5 standardına uygun.



3700

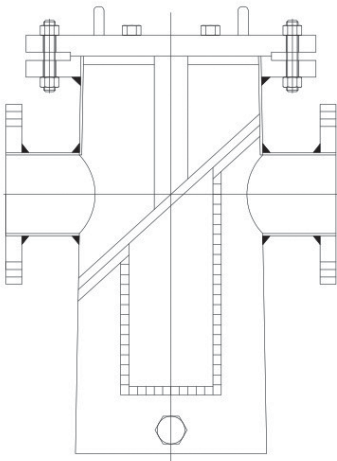
- DN25-DN300,
- Pressure Class : PN6/10/16,
- Diaphragm : NBR / EPDM / Viton / PTFE,
- Body & Bonnet : GGG40 / ASTM A216 WCB / CF8M / AISI 316,
- According to ASME B16,5 standard.

T tipi pislik tutucular (3810)

T type strainers (3810)

Burçelik T tipi Pislik Tutucular, boru hatlarındaki yabancı maddeleri filtreleme amacıyla kullanılırlar ve sistemdeki diğer ekipmanların uzun ömürlü çalışmasını sağlarlar.

- DN50-DN600,
- Basınç Sınıfı : PN10/16 // Class 150,
- Gövde & Kapak : St37 / St52,
- TS 11494 standardına uygun.



3810

Burçelik T type Strainers are used for filtration foreign materials and provide durable working for other equipments in system.

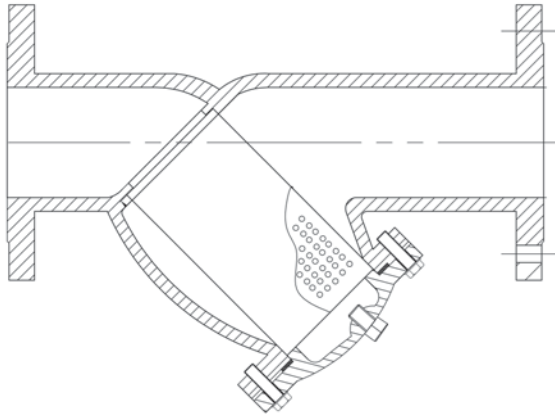
- DN50-DN600,
- Pressure Class : PN10/16 // Class 150,
- Body & Cap : St37 / St52,
- According to TS11494 standard.

Y tipi pislik tutucular (3820)

Y type strainers (3820)

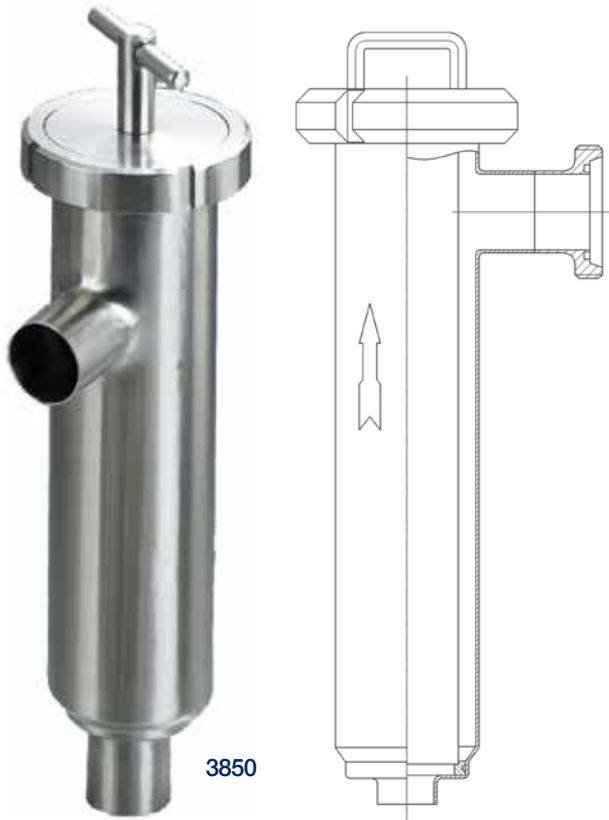
Burçelik Y tipi Pislik Tutucular, boru hatlarındaki yabancı maddeleri filtreleme amacıyla kullanılırlar ve sistemdeki diğer ekipmanların uzun ömürlü çalışmasını sağlarlar.

- DN50-DN500,
- Basınç Sınıfı : PN10/16 // Class 150,
- Gövde & Kapak : GGG40.3 / ASTM A216 WCB,
- TS 11494 standardına uygun.



Burçelik Y type Strainers are used for filtration foreign materials and provide durable working for other equipments in system.

- DN50-DN500,
- Pressure Class : PN10/16 // Class 150,
- Body & Cap : GGG40.3 / ASTM A216 WCB,
- According to TS 11494 standard.



hijyenik pislik tutucular (3850)

sanitary strainers (3850)

- DN50-DN500,
- Basınç Sınıfı : PN10/16 // Class 150,
- Gövde & Kapak : GGG40.3 / ASTM A216 WCB.
- DN50-DN500,
- Pressure Class : PN10/16 // Class 150,
- Body & Bonnet : GGG40.3 / ASTM A216 WCB.

flanşlı / kaynaklı swing çek vanalar (4100-4150)

flanged / welded swing check valves (4100-4150)

Burçelik Yüzer Tip Çek Vanaları, geri akışı önlemede kullanılan, en iyi dizayna sahip vanalardır.

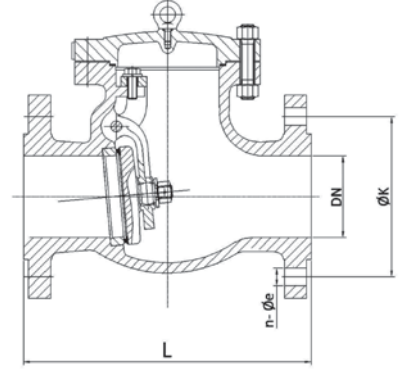
- Class 150 / 300 : DN50-DN750,
- Class 600 / 900 : DN50-DN600,
- Class 1500 / 2500 : DN50-400,
- Basınç Sınıfı : Class 150 / 300 / 600 / 900 / 1500 / 2500,
- Gövde : ASTM A216 WCB / CF8M / AISI 316,
- Klape & İç aksam : Trim 1-12,
- TS EN 12334 / ASME B16,34 / API 594 standartlarına uygun.

Burçelik Swing Check Valves are having a very advanced design for preventing back flow.

- Class 150 / 300 : DN50-DN750,
- Class 600 / 900 : DN50-DN600,
- Class 1500 / 2500: DN50-400,
- Pressure Class : Class 150 / 300 / 600 / 900 / 1500 / 2500,
- Body : ASTM A216 WCB / CF8M / AISI 316,
- Disc & Internal Parts : Trim 1-12,
- According to TS EN 12334 / ASME B16,34 / API 594 standards.



4150

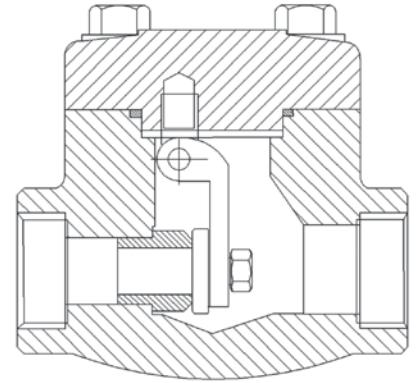


dövme dişli / soket kaynaklı swing çek vanalar (4200-4250)

forged steel threaded / socket weld swing check valves (4200-4250)

- DN15-DN50,
- Basınç Sınıfı : Class 150 / 300 / 600 / 900 / 1500,
- Gövde : ASTM A-105,
- Klape & İç aksam : Trim 1-12,
- TS EN 12334 / ASME B16,34 / API 594 standartlarına uygun.

- DN15-DN50,
- Pressure Class : Class 150 / 300 / 600 / 900 / 1500,
- Body : ASTM A-105,
- Disc & Internal Parts : Trim 1-12,
- According to TS EN 12334 / ASME B16,34 / API 594 standards.



4200

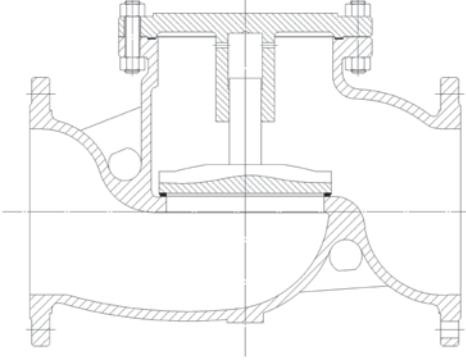


4250

flanşlı / kaynaklı piston (lift) çek vanalar (4300-4350)

flanged / welded piston (lift) check valves (4300-4350)

- Class 150 / 300 : DN15-DN300,
- Class 600 / 900 : DN50-DN200,
- Basınç Sınıfı : Class 150 / 300 / 600 / 900,
- Gövde : ASTM A216 WCB / CF8M / AISI 316,
- Klape : Trim 1-12,
- TS EN 12334 / ASME B16,34 / API 594 standartlarına uygun.



4300



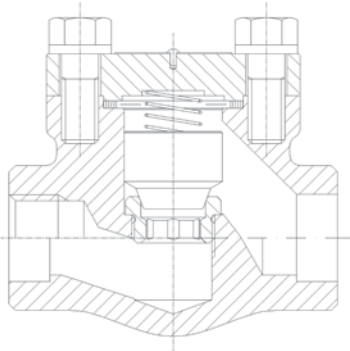
4350

- Class 150 / 300 : DN15-DN300,
- Class 600 / 900 : DN50-DN200,
- Pressure Class : Class 150 / 300 / 600 / 900,
- Body : ASTM A216 WCB / CF8M / AISI 316,
- Disc : Trim 1-12,
- According to TS EN 12334 / ASME B16,34 / API 594 standards.

dövme dişli / soket kaynaklı piston (lift) çek vanalar (4400-4450)

forged steel threaded / socket weld piston (lift) check valves (4400-4450)

- DN15-DN50,
- Basınç Sınıfı : Class 150 / 300 / 600 / 900 / 1500,
- Gövde : ASTM A-105,
- Klape : Trim 1-12,
- TS EN 12334 / ASME B16,34 / API 594 standartlarına uygun.



4400

4450



- DN15-DN50,
- Pressure Class : Class 150 / 300 / 600 / 900 / 1500,
- Body : ASTM A-105,
- Disc & Internal Parts : Trim 1-12,
- According to TS EN 12334 / ASME B16,34 / API 594 standards.

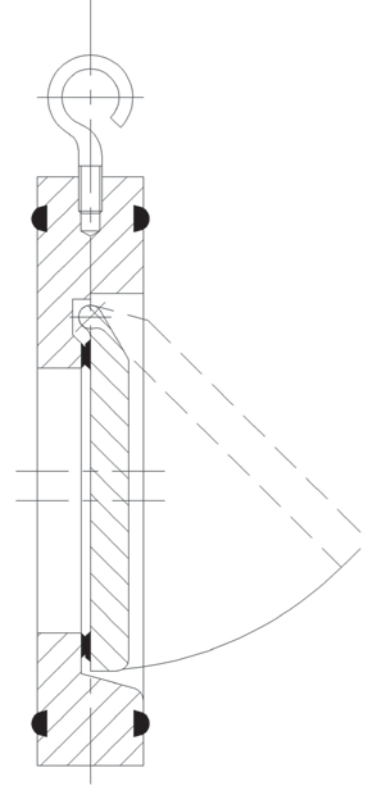
çalpara (wafer) çek vanalar (4500) wafer swing check valves (4500)



4500

- DN50-900,
- Basınç Sınıfı : Class 150 / 300 / 600 / 900 / 1500,
- Gövde : ASTM A-105 / AISI 316,
- Klape : AISI 316,
- TS EN 12334 / ASME B16,34 / API 594 standartlarına uygun.

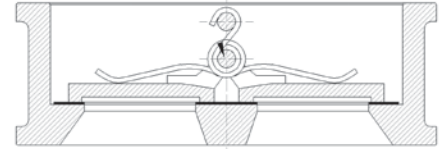
- DN50-900,
- Pressure Class : Class 150 / 300 / 600 / 900 / 1500,
- Body : ASTM A-105 / AISI 316,
- Disc : AISI 316,
- According to TS EN 12334 / ASME B16,34 / API 594 standards.



çift klapeli (diskli) wafer / lug tipi çek vanalar (4600-4650) dual plate (disc) wafer / lug type check valves (4600-4650)

- DN50-DN600,
- Basınç Sınıfı : PN10/16 // Class 150 / 300,
- Gövde & Klape : GGG40 / ASTM A216 WCB / CF8M / AISI 316,
- TS EN 12334 / ASME B16,34 / API 594 standartlarına uygun.

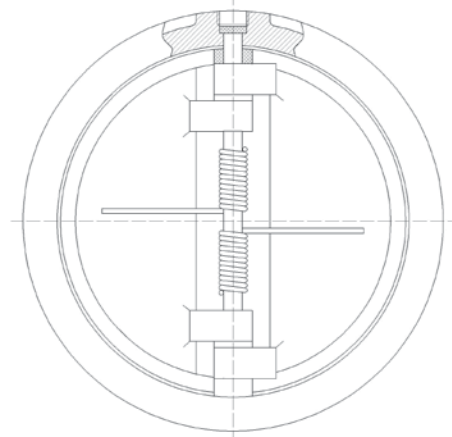
- DN50-DN600,
- Pressure Class : PN10/16 // Class 150 / 300,
- Body & Disc : GGG40 / ASTM A216 WCB / CF8M / AISI 316,
- According to TS EN 12334 / ASME B16,34 / API 594 standards.



4600



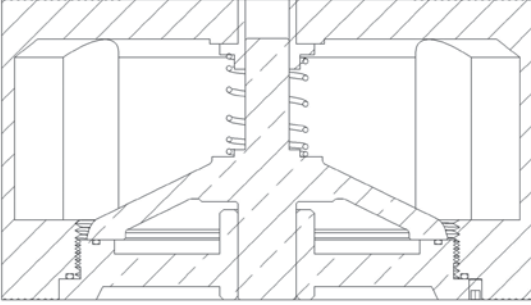
4650



yaylı (disko) tip wafer çek vanalar (4700)

spring wafer check valves (4700)

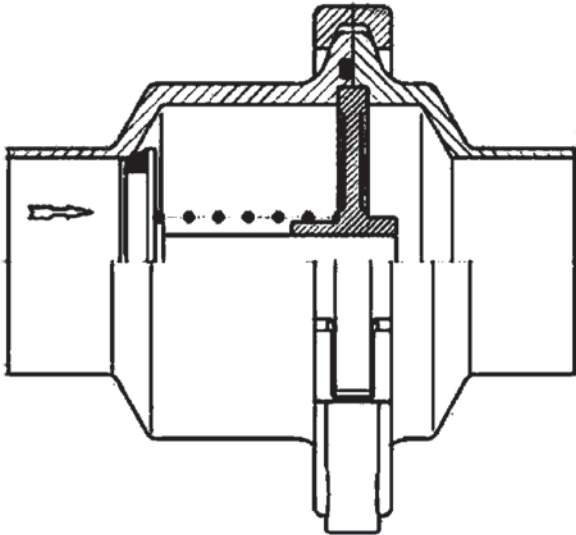
- DN50-DN200,
 - Basınç Sınıfı : Class 150 / 300,
 - Gövde & Klape : ASTM A216 WCB / CF8M / AISI 316,
 - TS EN 12334 / ASME B16,34 / API 594 standartlarına uygun.
-
- DN50-DN200,
 - Pressure Class : Class 150 / 300,
 - Disc : ASTM A216 WCB / CF8M / AISI 316,
 - According to TS EN 12334 / ASME B16,34 / API 594 standards.



4700

hijyenik çek vanalar (4800)

sanitary check valves (4800)



4800

- DN50-DN200,
 - Basınç Sınıfı : Class 150 / 300,
 - Gövde & Klape : ASTM A216 WCB / CF8M / AISI 316,
 - DIN 11850 standardına uygun.
-
- DN50-DN200,
 - Pressure Class : Class 150 / 300,
 - Body & Disc : ASTM A216 WCB / CF8M / AISI 316,
 - According to DIN 11850 standard.

aksesuarlar / accessories

redüktörler (9200) / gear-boxes (9200)

Redüktörlerimiz 300 Nm ile 4200 Nm çıkış torku aralığında üretilmekte olup tüm ölçülerdeki vanalarımız için kullanılabilir.

- 300Nm-4200Nm Maksimum Çıkış Torku,
- Gövde, Kapak & Dişli : GGG40,
- Mil : ASTM 1045.

Gear-Boxes produced between 300 Nm and 4200 Nm output torques and available for all valves.

- 300Nm-8500Nm Maximum Output Torques,
- Body, Cap & Worm : GGG40,
- Stem : ASTM 1045



pnömatik aktüatör (9300) / pneumatic actuator (9300)

Burçelik Pnömatik Aktüatörler 7Nm-1300Nm (6 Bar) aralığında Çift Etkili ve 14Nm-1200Nm (6 Bar) aralığında Tek Etkili olarak iki tipte üretilmektedir. Pnömatik Aktüatörlerimiz 90 derece dönüşlü olup gövde Sertleştirilmiş Alüminyum, piston ve kapaklar Alüminyum Enjeksiyon ve mil Çelik veya Paslanmaz Çelik malzemelerinden üretilmektedir. Pnömatik Aktüatörler vanaların On-Off ve oransal kontrol edilmesini sağlar ve ürettiğimiz tüm vanalar ile birlikte kullanılabilir.

- 7Nm-1300Nm (6 Bar) aralığında Rotary Çift Etkili
- 14Nm-1200Nm (6 Bar) aralığında Rotary Tek Etkili,
- ISO 5211 Standart Bağlantı,
- Gövde, Piston & Kapaklar : Sertleştirilmiş Alüminyum,
- Mil : Çelik veya Paslanmaz Çelik,
- Pozisyon Göstergeli.



Burçelik Pneumatic Actuators are produced as two types: Double Acting Actuators, between 7 Nm and 1300 Nm at 6 Bars, and Single Return Actuators, between 14 Nm and 1200 Nm at 6 Bars. Our Pneumatic Actuators have 90 degree turn capacity, and are produced as Extruded Aluminum Alloy body, Pressure die casting Aluminum Alloy piston and end-cap and Steel or Stainless-Steel stem. Pneumatic actuators control valves as on/off proportionally and fit all types of Burçelik valves.

- Rotary Double Acting, between 7Nm-1300Nm (6 Bar)
- Rotary Single Return, between 14Nm-1200Nm,
- Body, Piston & Cap : Extruded Aluminum Alloy,
- ISO 5211 Standard Connection,
- Stem : Steel or Stainless-Steel.
- Position Indicator.

selenoid valf (9350) / selenoid valve (9350)

- 1/4" / 5/2 & 3/2 Yollu
- Tek Bobinli Namur Selenoid Valf

- 1/4" / 5/2 & 3/2,
- Single Coil Namur Selenoid Valve.



limit switch kutusu (9360) / limit switch box (9360)

- Gövde : PVC
- Mekanik / Proximity Limit Anahtarı,
- Pozisyon Göstergeli.

- Body : PVC,
- Mechanical / Proximity Limit Switch,
- Position Indicator.



pozisyoner (9370) / positioner (9370)

- Elektropnömatik Pozisyoner
- 0-10 Volt / 4-20 mA

- Electro-Pneumatic Positioner,
- 0-10 Volt / 4-20 mA.



elektrik aktüatör (9400) / electric actuator (9400)

Burçelik Elektrik Aktüatörler 24V DC, 1 Ph 110V AC, 1Ph 230V AC, 3Ph 380V AC olarak üretilmektedir. Standart tipte o-ring yalıtımı ile IEC IP67 NEMA 4 ve 6 standardına göre suya karşı dayanıklılık mevcuttur. Taban montajı ISO 5211 standardına göredir. Mil burcu vana miline uygunluk için işlenmek üzere yerinden çıkarılabilir tiptedir. Vana üstündeki aktüatör pozisyonu; mil burcu üzerindeki 4 civata deliği sayesinde 4 farklı pozisyonda seçilebilir. Aktüatör içindeki ortam ısıtıcı; hava ve sıcaklık değişimleri sonucunda oluşacak yoğunlaşmayı ve su birikimini önler. Standart 20W 'lık ısıtıcı aktüatör içindeki bütün elektriksel parçaları her daim temiz ve kuru tutar. Limit Switch orta kolon üzerine yerleştirilmiş basit fakat güvenilir bir cam mekanizması ile aktive edilir. Switch mekanizmasının basit bir şekilde ayarlanabilmesi sayesinde vana pozisyonu tam olarak ve kolayca ayarlanabilir durumdadır. Ayar pozisyonu kalıcıdır ve manuel kumanda sonucu oluşan over-travel tarafından etkilenmez. Cam aktivasyonlu tork switchleri fazla yüklenmeye karşı korumayı sağlamak için kolayca ayarlanabilir durumdadır. Redüktör volan mekanizması boyca küçük olmasına rağmen yüksek verimlilik ve düşük ses seviyesiyle (max. 50 dB) yüksek tork transferini sağlar. Geri tepmesinin düşük ve ömrünün uzun olması diğer avantajlarıdır. 60 Nm'den başlayıp 2500 Nm 'ye çıkan aralıktaki output tork değerleri sayesinde 2"-24" boyları arasındaki vanalarda kullanımı mümkündür. Opsiyonel Özellikler Mevcuttur:

EXP : Patlamaya veya suya dayanıklı. Ex d II B T4 IP67, Eex d II B T4 (NEMKO)

DCM : 24 V DC Motor

ALS : Ek olarak yardımcı limit switchler

EXT : Hareket açısı: 120°, 135°, 180°, 270°, 300°

LCU : Lokal Kontrol Ünitesi. Lokal/Uzaktan Kumanda Selektör Switch'i. Açık/Dur/Kapalı Selektör Switch'i veya basmalı düğme tipi

PIU : Potansiyometre Ünitesi 1kOhm

CPT : Akım Pozisyon Transmitörü. Çıkış: DC 4~20 mA,

PCU : Oransal Kontrol Ünitesi. Güç: AC110/220V 1Ph, DC 24V. Giriş: DC 4~20 mA, DC 1-5 V, DC 2-10 V. Çıkış: DC 4~20 mA

IMS : Integral Motor Başlatıcı. Tersine Manyetik Kontakları & Transformör

- 24V DC / , 1 Ph 110V AC / 1Ph 230V AC / 3Ph 380V AC opsiyonlarda,
- 60Nm-2500Nm Maksimum Çıkış Torku,
- IP67 korumalı, NEMA 4 & 6
- Opsiyonlar : IP68 / Oransal Kontrol Ünitesi // Yardımcı Limit / Tork Anahtarı / Patlamaya Dayanıklı ve Su Geçirmez özellikli Lokal Kontrol Ünitesi.

9400



Burçelik Electric Actuators are produced as 24V DC, 1Ph 110V AC, 1Ph 230V AC; 3Ph 380V AC. Standard enclosure with o-ring sealing is watertight to IEC IP67 NEMA 4 and 6. Base mounting is according to ISO 5211. Stem bushing is removable for machining to fit to valve stems. The actuator can be positioned on the valve at four different angles by means of 4 bolts holes. A space heater inside the actuator prevents condensation due to temperature and weather changes. Standard 20W heater keeps all electrical components in the actuator clean and dry. The limit switch is activated by means of a simple and yet reliable Cam mechanism mounted and driven by the center shaft. The valve position can be accurately and easily set with the simple adjustable switch mechanism. The set position is permanent and is not affected by over-travel resulting from manual operation. The precision worm and worm wheel mechanism transfers high torque with high efficiency and low sound level (max. 50 dB) even though small in size. Additional benefits include low backlash and longer life. Various output torques (60Nm - 2500 Nm) cater for valves from 2" to 24".

EXP : Explosion Proof & Watertight Enclosure Ex d II B T4 IP67, Eex d II B T4 (NEMKO)

DCM : 24 V DC Motor

ALS: Additional Auxiliary Limit Switches

EXT : Travel Angle: 120°, 135°, 180°, 270°, 300°

LCU: Local Control Unit. Local / Remote Selector Switch Open/Stop/Close Selector Switch or Pushbutton Type

PIU : Potentiometer Unit 1K Ohm

CPT : Current Position Transmitter. Output: DC 4~20 mA

PCU : Proportional Control Unit. Power: AC 110/220V 1Ph, DC 24V. Input: DC 4~20mA, DC 1-5V, DC 2-10 V. Output: DC 4~20 mA

IMS : Integral Motor Starter. Reversing Magnetic Contacts and Transformer

- 24V DC / 1 Ph 110V AC / 1Ph 230V AC / 3Ph 380V AC options,
- 60Nm-2500Nm Maximum output Torques,
- Watertight IP67 NEMA 4 & 6,
- Options : IP68 / Proportional Control Unit // Auxiliary Limit / Torque Switches / Current Position Transmitter / Local Control Unit / Explosion Proof & Watertight Enclosure Local Control Unit.

Ürün görselleri temsildir. Burçelik Vana, herhangi bir açıklama yapmaksızın bu katalogta yer alan teknik verileri, malzeme ve tasarımları değiştirme hakkını saklı tutar.

Product images are for illustrative purposes only. Burçelik Vana has the right to make changes on the technical values, designs and material specifications without prior notice.



BURÇELİK VANA SANAYİ ve TİCARET A.Ş.

Organize Sanayi Bölgesi Sarı Cadde No 15 Nilüfer 16140 Bursa, Turkey

T. +90 224 243 11 07 • F. +90 224 241 77 85

vana@burcelikvana.com

www.burcelikvana.com



www.kosgeb.gov.tr

Basım Tarihi: 05/2017 Basım Yeri: REKLAMLAND