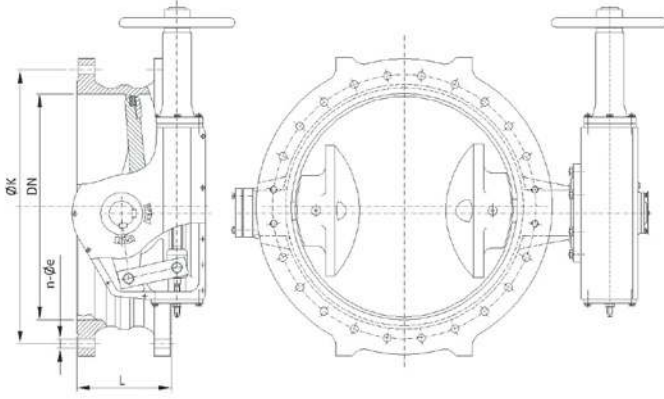


çift flanşlı çift eksantrik kelebek vanalar (5410)

double flanged double eccentric butterfly valves (5410)

- DN100-DN2000,
- Basınç Sınıfı : PN6/10/16 bar, ANSI 150
- Gövde : Epoxy kaplama GGG50,
- Disk : GGG50 / CF8M / AISI 316,
- Conta : EPDM / NBR / Viton,
- Kumanda Şekli : Kollu / Redüktörlü // Pnömatik / Elektrik / Hidrolik Aktüatörlü,
- TS EN 593 / API 609 / AWWA C504 standartlarına uygun.

- DN100-DN2000,
- Pressure Class : PN6/10/16 bar, ANSI 150
- Body : Epoxy coated GGG50,
- Disc : GGG50 / CF8M / AISI 316,
- Seat : EPDM / NBR / Viton,
- Operation : Lever / Gearbox // Pneumatic / Electric / Hydraulic Actuator,
- According to TS EN 593 / API 609 / AWWA C504 standards.



Inch	DN	L	PN6		PN10		PN16		ANSI-CLASS 150-A	
			ØK	n-Øe	ØK	n-Øe	ØK	n-Øe	ØK	n-Øe
4	100	127	170	4-Ø18	180	8-Ø18	180	8-Ø18	190.5	8-Ø19
5	125	140	200	8-Ø18	210	8-Ø18	210	8-Ø18	215.9	8-Ø22
6	150	140	225	8-Ø18	240	8-Ø22	240	8-Ø22	241.3	8-Ø22
8	200	152	280	8-Ø18	295	8-Ø22	295	12-Ø22	298.4	8-Ø22
10	250	165	335	12-Ø18	350	12-Ø22	355	12-Ø26	361.9	12-Ø25
12	300	178	395	12-Ø22	400	12-Ø22	410	12-Ø26	431.8	12-Ø25
14	350	190	445	12-Ø22	460	16-Ø22	470	16-Ø26	476.2	12-Ø29
16	400	216	495	16-Ø22	515	16-Ø26	525	16-Ø30	539.2	16-Ø29
18	450	222	550	16-Ø22	565	20-Ø26	585	20-Ø30	577.8	16-Ø32
20	500	229	600	20-Ø22	620	20-Ø26	650	20-Ø33	635.0	20-Ø32
24	600	267	705	20-Ø26	725	20-Ø30	770	20-Ø36	749.3	20-Ø35
28	700	292	810	24-Ø26	840	24-Ø30	840	24-Ø36	863.6	28-Ø35
32	800	318	920	24-Ø30	950	24-Ø33	950	24-Ø39	977.9	28-Ø41,5
36	900	330	1020	24-Ø30	1050	28-Ø33	1050	28-Ø39	1085.5	32-Ø41,5
40	1000	410	1120	28-Ø30	1160	28-Ø36	1170	28-Ø42	1200.2	36-Ø41,5
48	1200	470	1340	32-Ø33	1380	32-Ø39	1390	32-Ø48	1424.4	44-Ø41,5

* DN1300-DN2000 boyutları için lütfen tarafımızla iletişime geçiniz.

* For DN1300-DN2000 please contact us for technical details.