

# çift flanşlı konsantrik kelebek vanalar (5400)

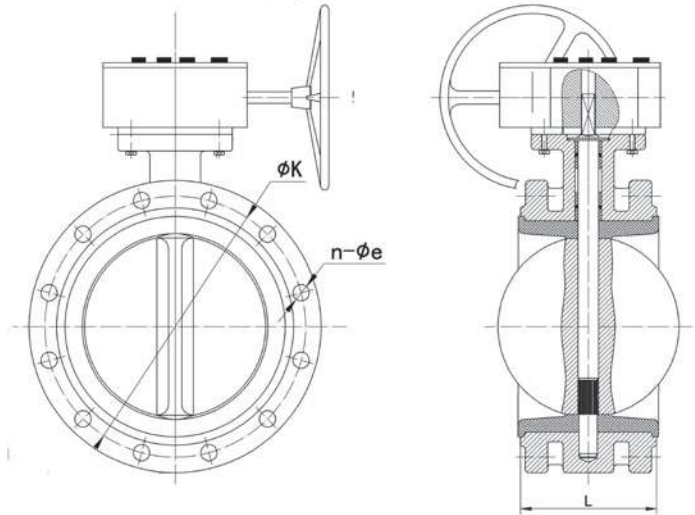
## double flanged concentric butterfly valves (5400)



5400

- DN50-DN2000,
- Basınç Sınıfı : PN10/16 bar, ANSI 125/150
- Gövde : Epoxy kaplama GGG50,
- Disk : Epoxy kaplama GGG50 / CF8M / AISI 316,
- Conta : EPDM / NBR / Viton,
- Kumanda Şekli: Kollu / Redüktörlü // Pnömatik / Elektrik / Hidrolik Aktüatörlü,
- TS EN 593 standardına uygun.

- DN50-DN2000,
- Pressure Class : PN10/16 bar, ANSI 125/150
- Body : Epoxy coated GGG50,
- Disc : Epoxy coated GGG50 / CF8M / AISI 316,
- Seat : EPDM / NBR / Viton,
- Operation: Lever / Gearbox // Pneumatic / Electric / Hydraulic Actuator,
- According to TS EN 593 standard.



Inch	DN	L	PN10		PN16		ANSI 125/150		ISO5211
			ØK	n-Øe	ØK	n-Øe	ØK	n-Øe	
2	50	108	125	4-Ø18	125	4-Ø18	120.7	4-Ø19	F7
2½	65	112	145	8-Ø18	145	8-Ø18	139.7	4-Ø19	F7
3	80	114	160	8-Ø18	160	8-Ø18	152.4	4-Ø19	F7
4	100	127	180	8-Ø18	180	8-Ø18	190.5	8-Ø19	F7
5	125	140	210	8-Ø18	210	8-Ø18	215.9	8-Ø22	F7
6	150	140	240	8-Ø22	240	8-Ø22	241.3	8-Ø22	F7
8	200	152	295	8-Ø22	295	12-Ø22	298.5	8-Ø22	F10/F12
10	250	165	350	12-Ø22	355	12-Ø26	362.0	12-Ø25	F10/F12
12	300	178	400	12-Ø22	410	12-Ø26	431.8	12-Ø25	F10/F12
14	350	190	460	16-Ø22	470	16-Ø26	476.2	12-Ø29	F12/F14
16	400	216	515	16-Ø26	525	16-Ø30	539.2	16-Ø29	F12/F14
18	450	222	565	20-Ø26	585	20-Ø30	577.8	16-Ø32	F12/F14
20	500	229	620	20-Ø26	650	20-Ø33	635.0	20-Ø32	F14/F16
24	600	267	725	20-Ø30	770	20-Ø36	749.3	20-Ø35	F14/F16

\* DN700-DN2000 boyutları için lütfen tarafımızla iletişime geçiniz.

\* For DN700-DN2000 please contact us for technical details.