

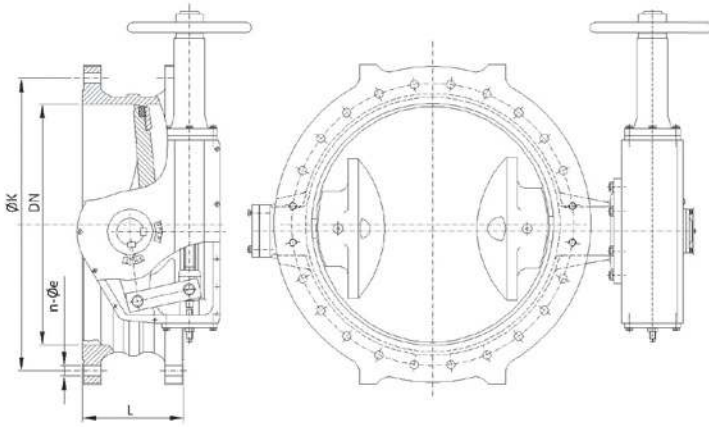
çift flanşlı triple eksantrik kelebek vanalar (5420)

double flanged triple eccentric butterfly valves (5420)

- DN50-DN2000,
- Basınç Sınıfı : PN6/10/16 bar, ANSI 150
- Gövde : Epoxy kaplama GGG50,
- Disk : GGG50 / AISI 316,
- Conta : EPDM / NBR / Viton,
- Kumanda Şekli : Kollu / Redüktörlü // Pnömatik / Elektrik / Hidrolik Aktüatörlü,
- TS EN 593 / API 609 standartlarına uygun.



5420



- DN50-DN2000,
- Pressure Class : PN6/10/16 bar, ANSI 150
- Body : Epoxy coated GGG50,
- Disc : GGG50 / AISI 316,
- Seat : EPDM / NBR / Viton,
- Operation : Lever / Gearbox // Pneumatic / Electric / Hydraulic Actuator,
- According to TS EN 593 / API 609 standards.

| Inch | DN | L | PN6 | | PN10 | | PN16 | | ANSI-CLASS 150-A | |
|------|------|-----|------|--------|------|--------|------|--------|------------------|----------|
| | | | ØK | n-Øe | ØK | n-Øe | ØK | n-Øe | ØK | n-Øe |
| 2 | 50 | 108 | 110 | 4-Ø14 | 125 | 4-Ø18 | 125 | 4-Ø18 | 120.7 | 4-Ø19 |
| 2½ | 65 | 112 | 130 | 4-Ø14 | 145 | 8-Ø18 | 145 | 8-Ø18 | 139.7 | 4-Ø19 |
| 3 | 80 | 114 | 150 | 4-Ø18 | 160 | 8-Ø18 | 160 | 8-Ø18 | 152.4 | 4-Ø19 |
| 4 | 100 | 127 | 170 | 4-Ø18 | 180 | 8-Ø18 | 180 | 8-Ø18 | 190.5 | 8-Ø19 |
| 5 | 125 | 140 | 200 | 8-Ø18 | 210 | 8-Ø18 | 210 | 8-Ø18 | 215.9 | 8-Ø22 |
| 6 | 150 | 140 | 225 | 8-Ø18 | 240 | 8-Ø22 | 240 | 8-Ø22 | 241.3 | 8-Ø22 |
| 8 | 200 | 152 | 280 | 8-Ø18 | 295 | 8-Ø22 | 295 | 12-Ø22 | 298.4 | 8-Ø22 |
| 10 | 250 | 165 | 335 | 12-Ø18 | 350 | 12-Ø22 | 355 | 12-Ø26 | 361.9 | 12-Ø25 |
| 12 | 300 | 178 | 395 | 12-Ø22 | 400 | 12-Ø22 | 410 | 12-Ø26 | 431.8 | 12-Ø25 |
| 14 | 350 | 190 | 445 | 12-Ø22 | 460 | 16-Ø22 | 470 | 16-Ø26 | 476.2 | 12-Ø29 |
| 16 | 400 | 216 | 495 | 16-Ø22 | 515 | 16-Ø26 | 525 | 16-Ø30 | 539.2 | 16-Ø29 |
| 18 | 450 | 222 | 550 | 16-Ø22 | 565 | 20-Ø26 | 585 | 20-Ø30 | 577.8 | 16-Ø32 |
| 20 | 500 | 229 | 600 | 20-Ø22 | 620 | 20-Ø26 | 650 | 20-Ø33 | 635.0 | 20-Ø32 |
| 24 | 600 | 267 | 705 | 20-Ø26 | 725 | 20-Ø30 | 770 | 20-Ø36 | 749.3 | 20-Ø35 |
| 28 | 700 | 292 | 810 | 24-Ø26 | 840 | 24-Ø30 | 840 | 24-Ø36 | 863.6 | 28-Ø35 |
| 32 | 800 | 318 | 920 | 24-Ø30 | 950 | 24-Ø33 | 950 | 24-Ø39 | 977.9 | 28-Ø41,5 |
| 36 | 900 | 330 | 1020 | 24-Ø30 | 1050 | 28-Ø33 | 1050 | 28-Ø39 | 1085.5 | 32-Ø41,5 |
| 40 | 1000 | 410 | 1120 | 28-Ø30 | 1160 | 28-Ø36 | 1170 | 28-Ø42 | 1200.2 | 36-Ø41,5 |
| 48 | 1200 | 470 | 1340 | 32-Ø33 | 1380 | 32-Ø39 | 1390 | 32-Ø48 | 1424.4 | 44-Ø41,5 |

* DN1300-DN2000 boyutları için lütfen tarafımızla iletişime geçiniz.

* For DN1300-DN2000 please contact us for technical details.